

ECHOPANEL® ADAPT

INSTALLATION GUIDE



This guide is presented in good faith to assist in the installation of EchoPanel® Adapt desk screens. It is not intended as an all-encompassing guide, and a professional qualified installer is recommended for optimum results.

Woven Image accepts no responsibility for installation actions taken or not taken. Please refer to Woven Image Pty Ltd. Terms of Trade.

This installation guide contains only recommendations; if you have any questions about installation techniques please contact your distributor or Woven Image sales representative.

Please note:

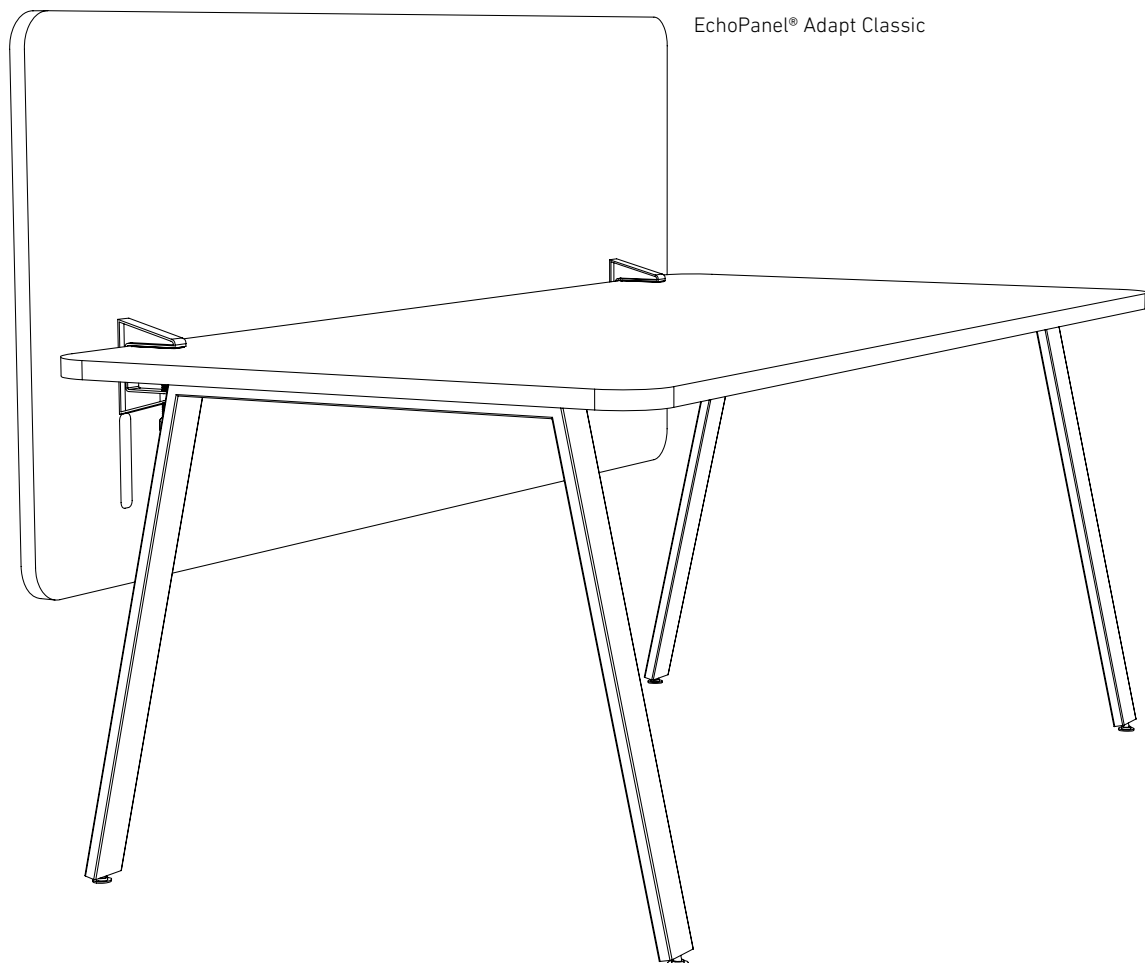
- Please check that all components are the correct colour, shape and same batch number (if requested).
- No claims will be accepted after EchoPanel® Adapt has been installed.
- The clamps should be tested for desk suitability.
- All surfaces must be smooth, clean, dry, dust and mould free.

SPECIFICATION

- Non-woven PET acoustic desk screen
- 1790mm x 780mm (Classic)
- 1790mm x 544mm (Social)

BOX CONTENTS

- 1 x EchoPanel® Adapt screen
- 2 x Desk clamps
- Installation guide



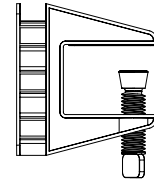
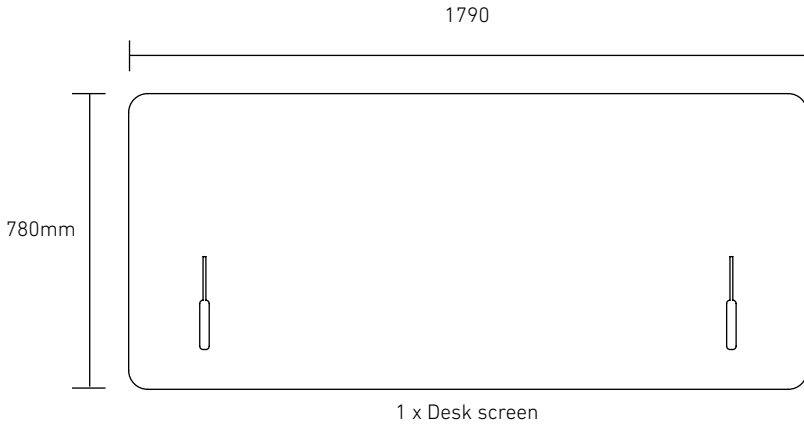
ECHOPANEL® ADAPT

INSTALLATION GUIDE



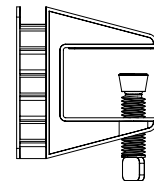
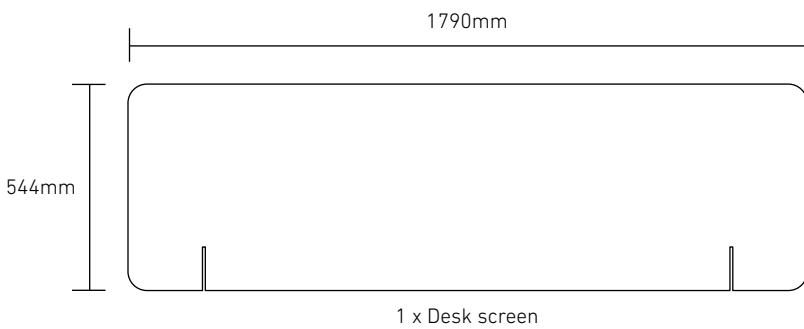
THE KIT

EchoPanel® Adapt Classic



2 x Desk clamps

EchoPanel® Adapt Social



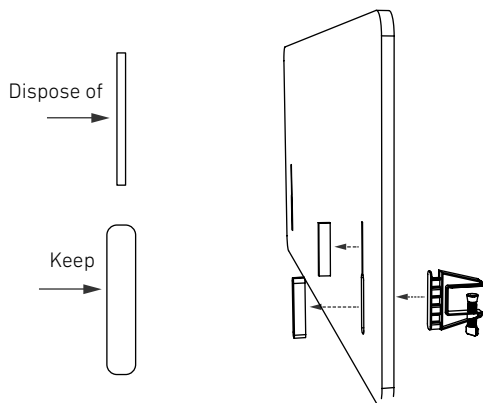
2 x Desk clamps

INSTALLATION

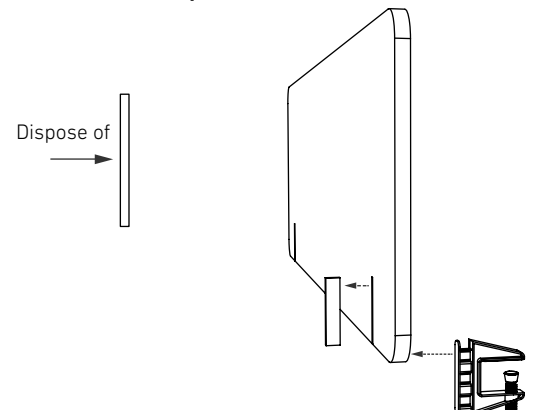
Step 1

- Pop out the cutout shapes and dispose of the thin rectangular ones.
- Keep the wider parts to replace them after the clamps are in place (Adapt Classic only).

EchoPanel® Adapt Classic



EchoPanel® Adapt Social



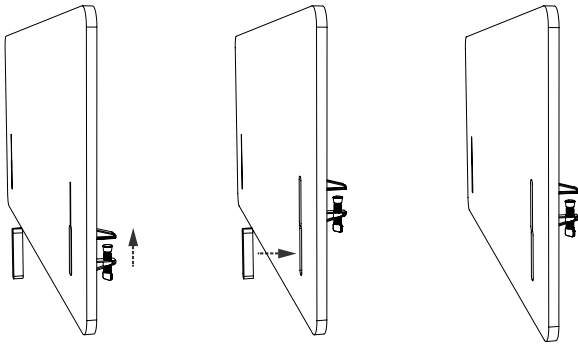
ECHOPANEL® ADAPT

INSTALLATION GUIDE

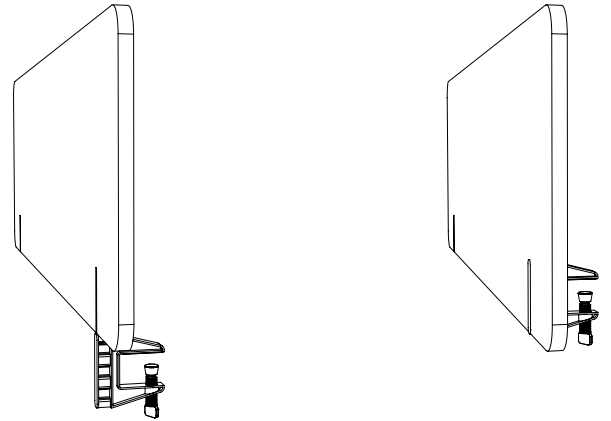
Step 2

- Push the desk clamps through the cutouts and slide them upwards.
- Replace the cutout parts to conceal the cut (Adapt Classic only).

EchoPanel® Adapt Classic

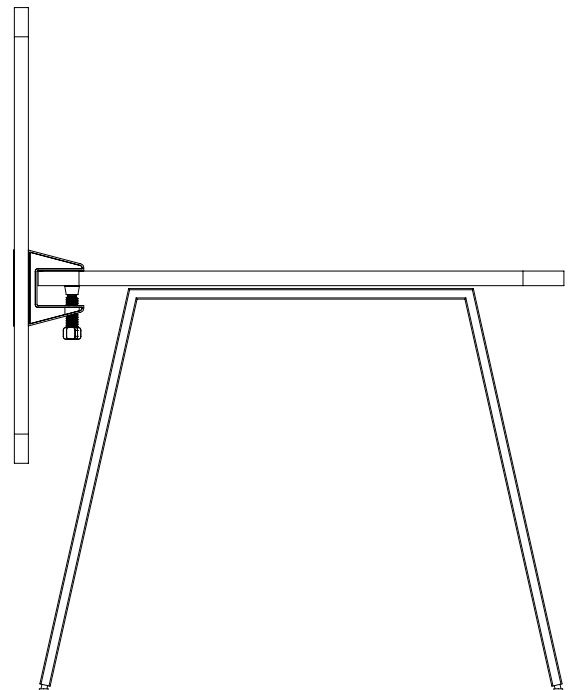
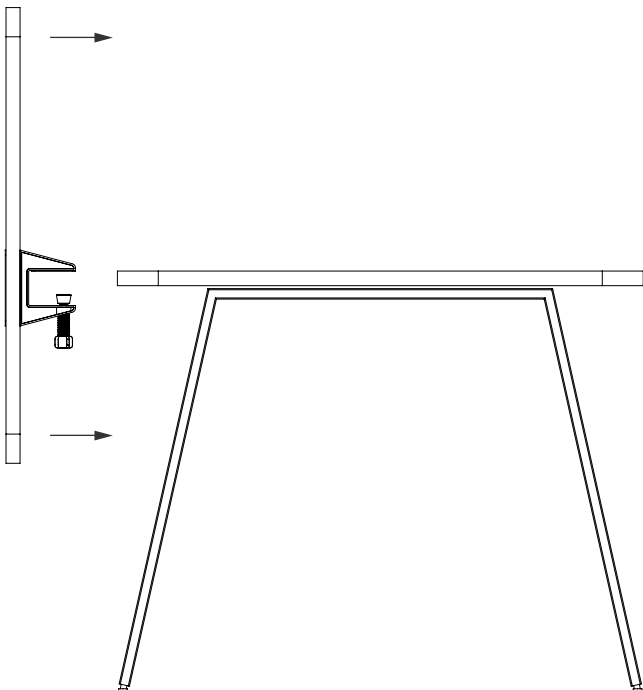


EchoPanel® Adapt Social



Step 3

- Install the assembly onto the desk top, tightening the clamps enough to stay in place.
- Double check the screen is correctly positioned.



ECHOPANEL® ADAPT

INSTALLATION GUIDE



Step 5

- Tighten the clamps to secure the desk screen.

