

ECHOPANEL® ARRAY

(Direct Fix)

INSTALLATION GUIDE



This guide is presented in good faith to assist in the installation of EchoPanel® Array. It is not intended as an all-encompassing guide, and a professional qualified installer is recommended for optimum results.

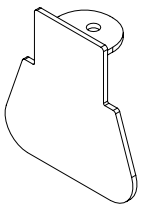
Woven Image accepts no responsibility for installation actions taken or not taken. Please refer to Woven Image Pty Ltd. Terms of Trade.

This installation guide contains only recommendations; if you have any questions about installation techniques please contact your distributor or Woven Image sales representative.

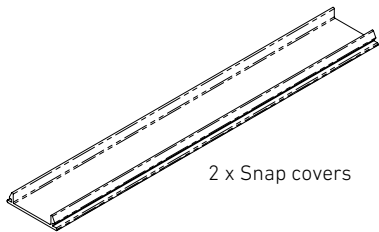
Please note:

- Please check that all ceiling blades are the correct colour, shape and same batch number (if requested).
- No claims will be accepted after EchoPanel® Array has been installed.
- EchoPanel® Array's acoustic performance will alter based on a variety of factors including the thickness of the baffles and the spacing between them.

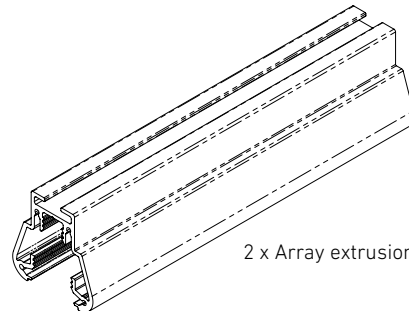
BOX CONTENTS



4 x End caps



2 x Snap covers

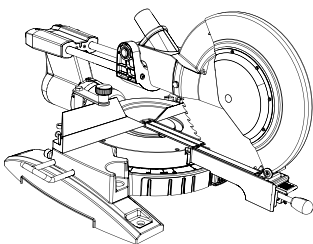


2 x Array extrusions

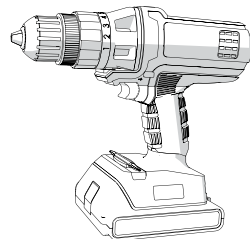


4 x Screws

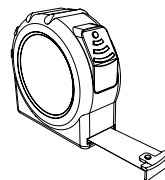
TOOLS REQUIRED



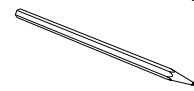
Drop saw



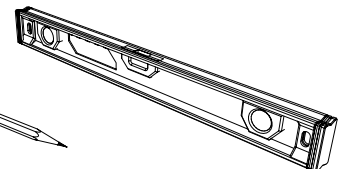
Drill + Phillips head drive



Measuring tape



Pencil



Level

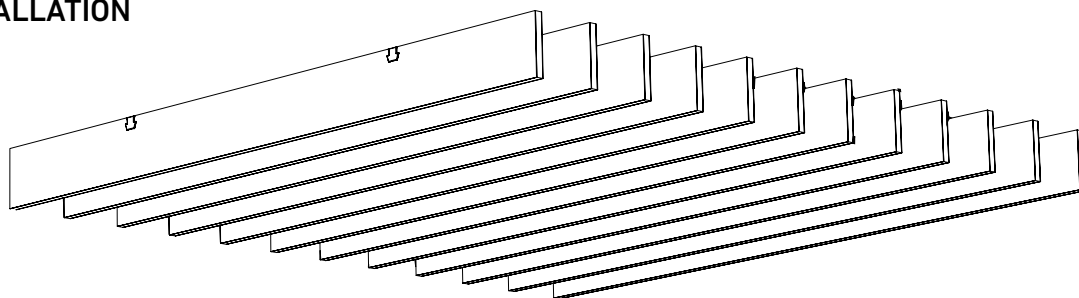
ECHOPANEL® ARRAY

(Direct Fix)

INSTALLATION GUIDE

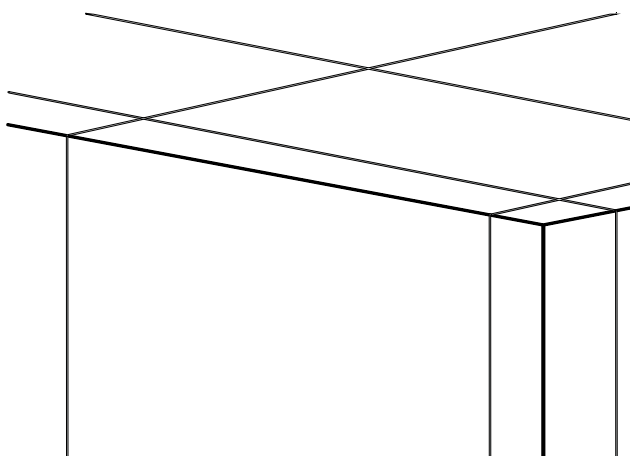


PERPENDICULAR INSTALLATION



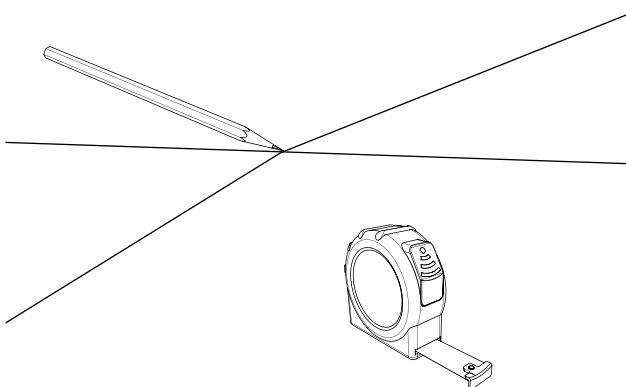
Step 1

- Prepare area and lay out all components for use.



Step 2

- Prepare area and use a laser level to mark out desired location.



ECHOPANEL[®] ARRAY

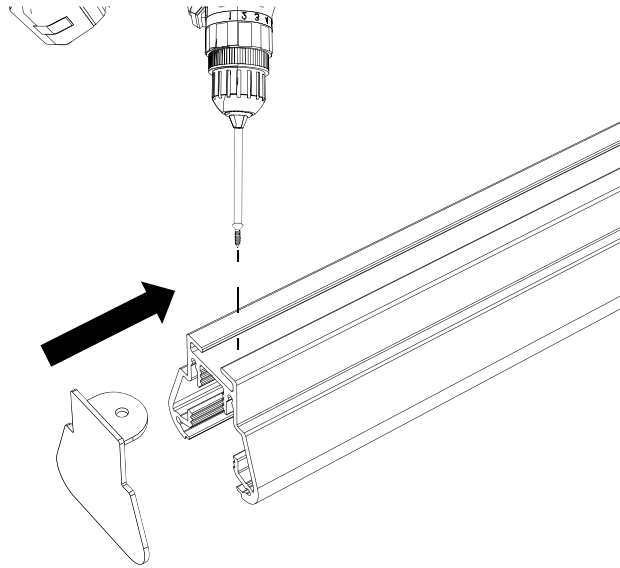
(Direct Fix)

INSTALLATION GUIDE



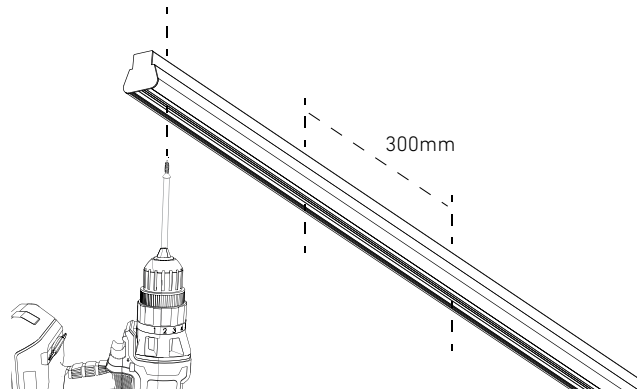
Step 3

- Attach end caps to lengths that will be an end of a run.



Step 4

- Drill the aluminium extrusion into the pre marked locations on the ceiling, ensuring you are fixing into a structural member.



Step 5

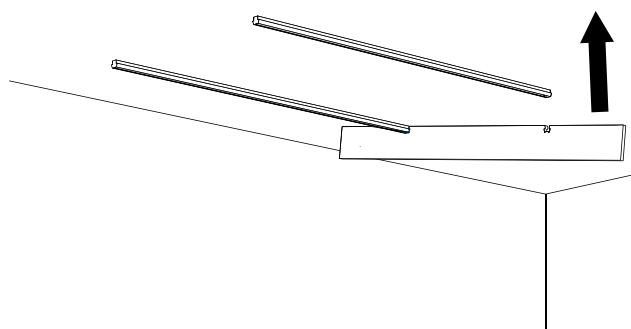
- Repeat Steps 3 and 4 with remaining extrusions.

Please note:

- Ensure aluminium extrusions are parallel to each other.
- Distance at either 600mm or 1200mm depending on the baffle size.
- 12mm thick x 2400mm wide baffle = 600mm spacing.
- 24mm thick x 2400mm wide baffle = 1200mm spacing.

Step 6

- Push fit/slide your first acoustic baffle flush to the edge of the aluminium extrusion.
- Shown using 24mm EchoPanel[®].



ECHOPANEL® ARRAY

(Direct Fix)

INSTALLATION GUIDE

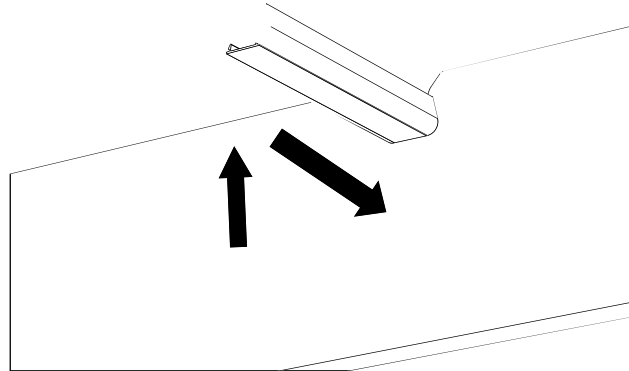


Step 7

- Insert the snap cover near the first baffle you have already installed and slide across.

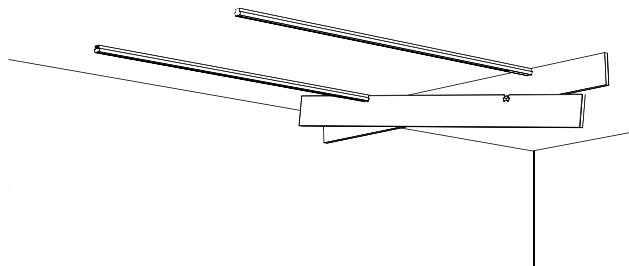
Please note:

- Trim the snap cover to the required length using a drop saw. Ensure you allow for the thickness of baffle when determining its length.
- Refer to the Specification sheet for recommended spacing at wovenimage.com



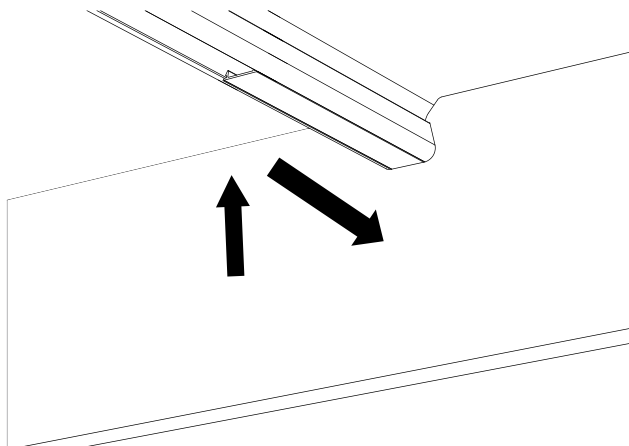
Step 8

- Install your next acoustic baffle flush to the snap cover.



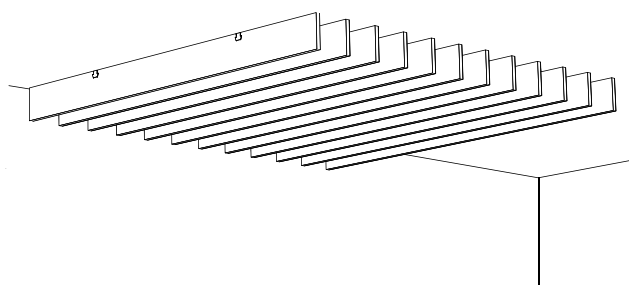
Step 9

- Insert the next snap cover near the baffle you have installed and slide across.



Step 10

- Continue until you have positioned all baffles and snap covers across the entire system.



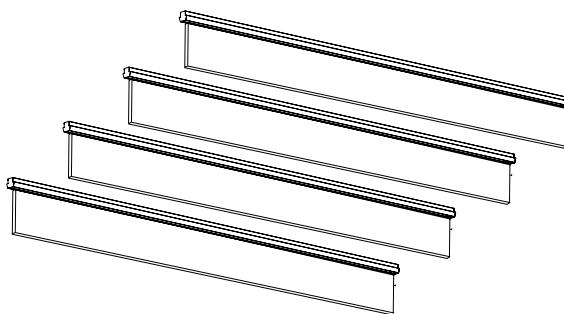
ECHOPANEL[®] ARRAY

(Direct Fix)

INSTALLATION GUIDE

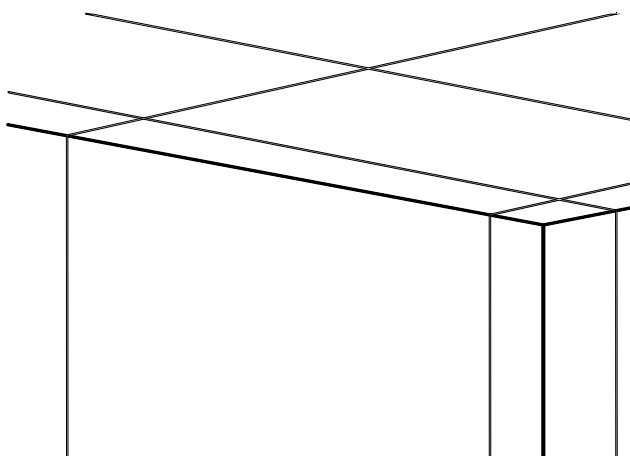


PARALLEL INSTALLATION



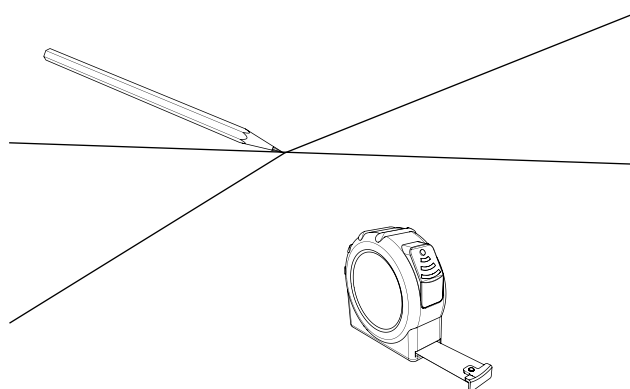
Step 1

- Prepare area and lay out all components for use.



Step 2

- Prepare area and use a laser level to mark out desired location.



ECHOPANEL[®] ARRAY

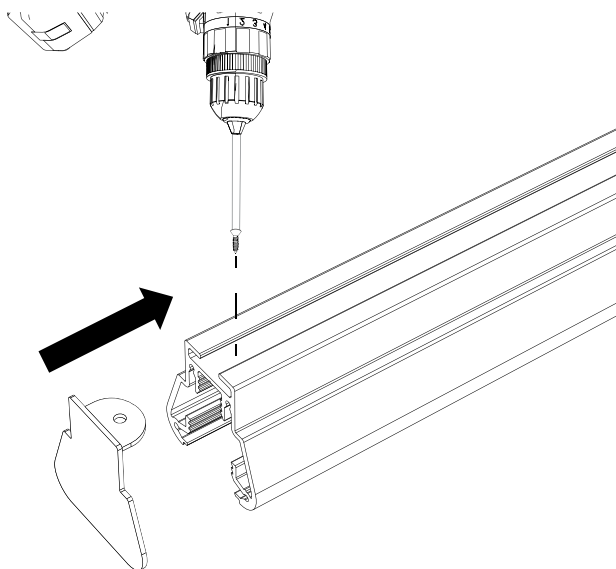
(Direct Fix)

INSTALLATION GUIDE



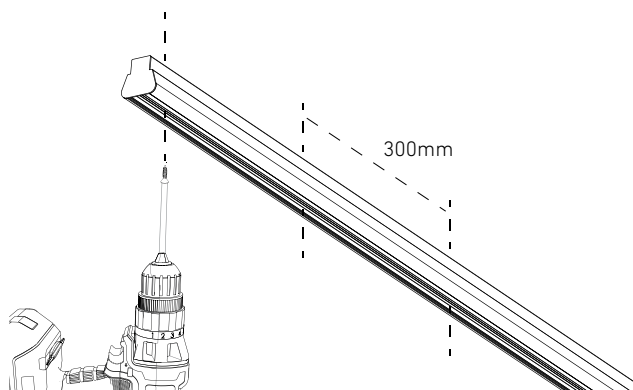
Step 3

- Attach end caps to lengths that will be an end of a run.



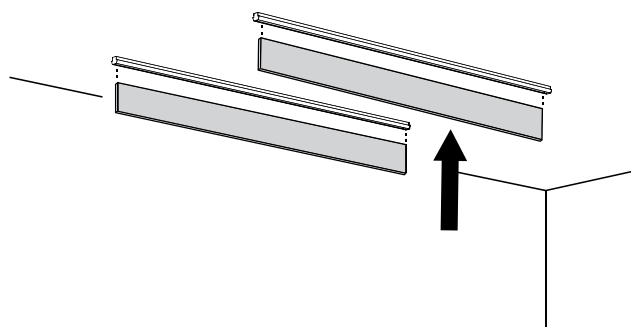
Step 4

- Drill the aluminium extrusion into the pre marked locations on the ceiling ensuring you are fixing into a structural member.



Step 5

- Insert your baffle flush to the extrusion.



ECHOPANEL® ARRAY

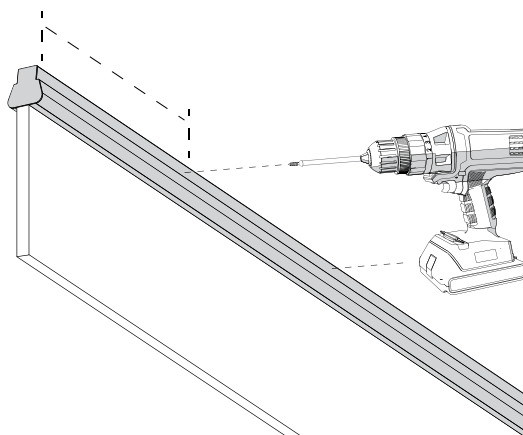
(Direct Fix)

INSTALLATION GUIDE



Step 6

- Using self-tapping tek screws, lock the baffle into the profile from the side at approximately 400mm centres.



Step 7

- Continue until you have positioned all baffles and self-tapping tek screws across the entire system.

