

ECHOPANEL® ELEMENT

(Blades & Ceiling/Wall clips)

INSTALLATION GUIDE



This guide is presented in good faith to assist in the installation of ceiling grids. It is not intended as an all-encompassing guide, and a professional qualified installer is recommended for optimum results.

Woven Image accepts no responsibility for installation actions taken or not taken. Please refer to Woven Image Pty Ltd. Terms of Trade.

This installation guide contains only recommendations; if you have any questions about installation techniques please contact your distributor or Woven Image sales representative.

Please return all unused parts to Woven Image for recycling, thank you.

Please note:

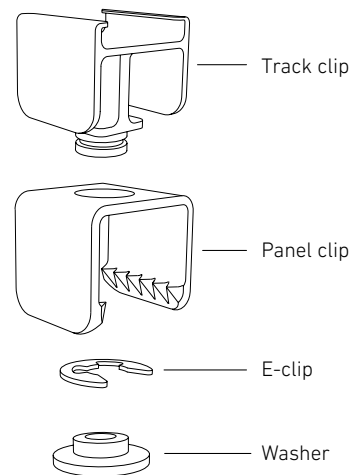
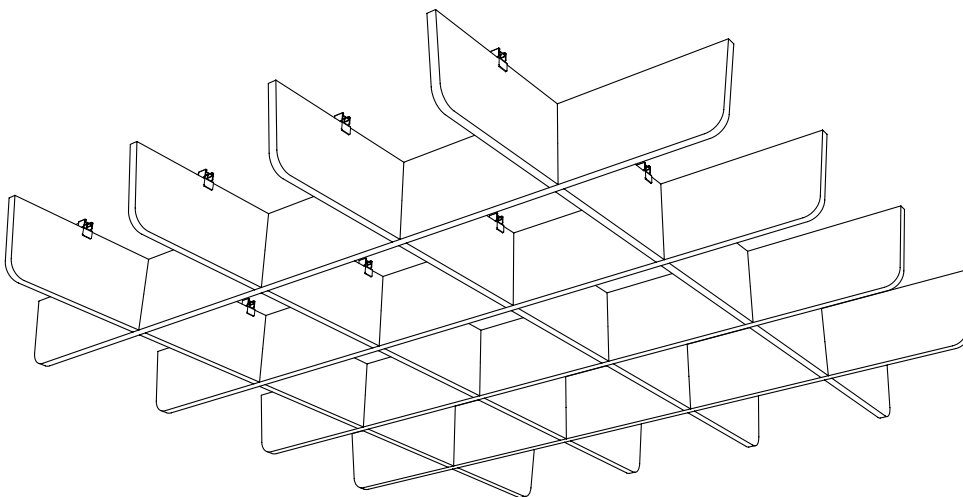
- Please check that all ceiling blades are the correct colour, shape and same batch number (if requested).
- No claims will be accepted after EchoPanel® Element has been installed.
- The clips should be tested for ceiling suitability and type of fixing required.
- All surfaces must be smooth, clean, dry, dust and mould free.
- The clips supplied are appropriate for the installation of one EchoPanel® Element kit.

SPECIFICATION

- Non-woven PET acoustic ceiling blades
- Recyclable ABS ceiling and wall clips for 24mm EchoPanel® blades
- Suitable for direct fix to wall or ceiling, or mounted to standard ceiling grids
- Translucent finish
- 2350mm x 215mm x 24mm per blade

BOX CONTENTS

- 8 x EchoPanel® blades per box, to form one grid (sold by the box only)
- 8 x Panel clips
- 8 x Track clips
- 8 x Washers
- 8 x E-clips
- Installation guide



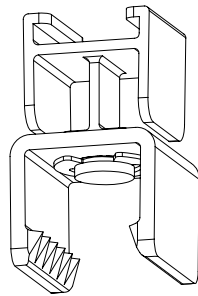
ECHOPANEL® ELEMENT

(Blades & Ceiling/Wall clips)

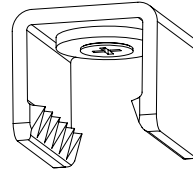
INSTALLATION GUIDE



There are two methods of assembly for the provided clips. This will depend if you are attaching to a ceiling grid system or direct fixing to a ceiling or wall.



Ceiling grid

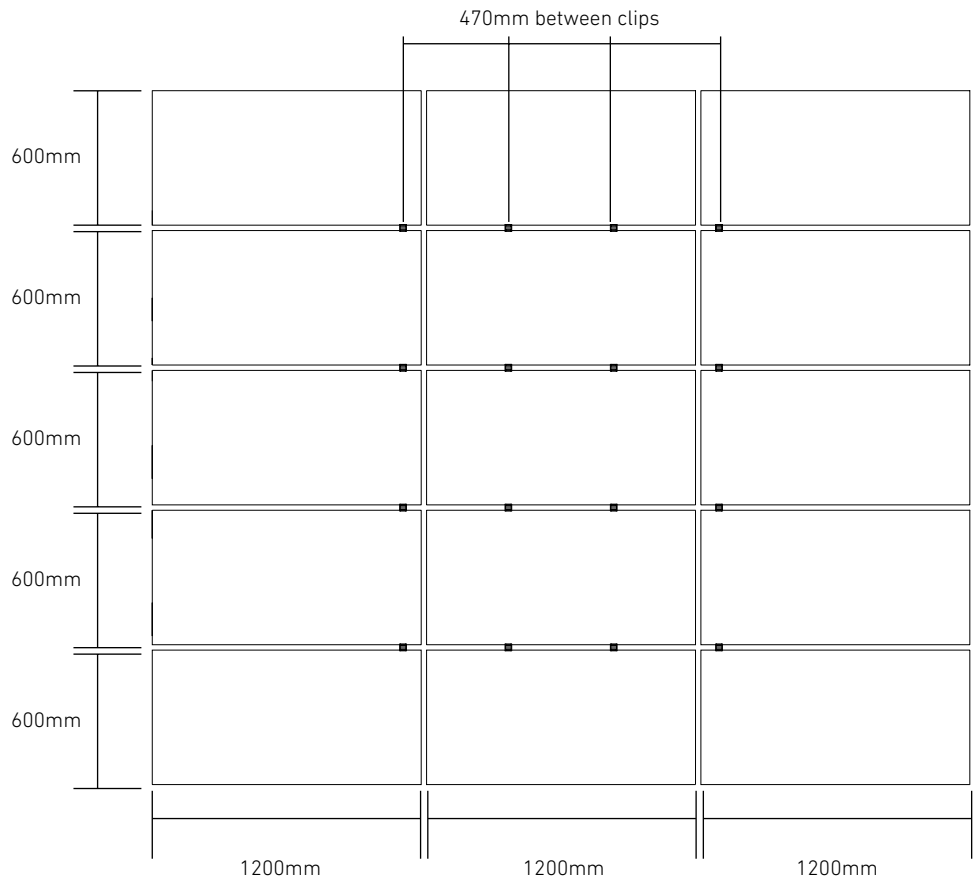
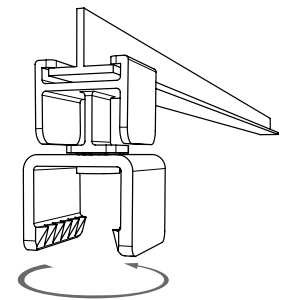
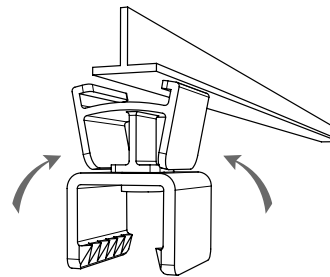
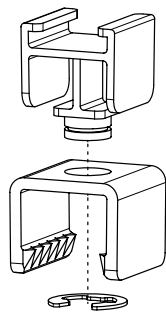


Direct fix

Ceiling grid method:

Step 1

- For ceiling grid use, assemble track clip and panel clip using one e-clip.
- Gently press the sides of the track clip inwards, whilst pushing the clip up against the ceiling grid, until it clicks into position.
- Rotate the panel clip to suit direction of EchoPanel®.
- Use the provided diagram to space the clips on a standard ceiling grid.



ECHOPANEL® ELEMENT

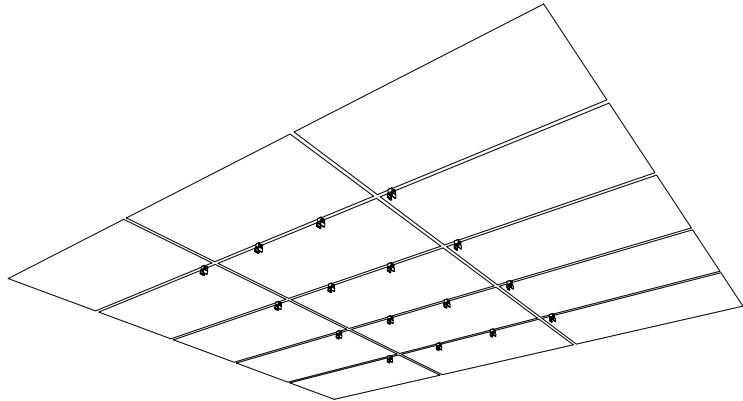
(Blades & Ceiling/Wall clips)

INSTALLATION GUIDE



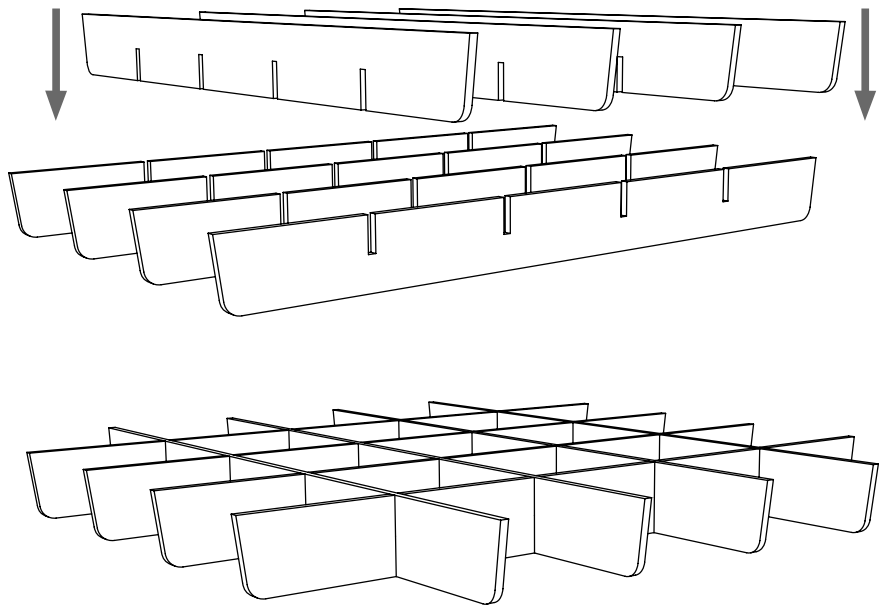
Step 2

- When all the clips are fixed, you will have a grid of clips ready to install the blades.



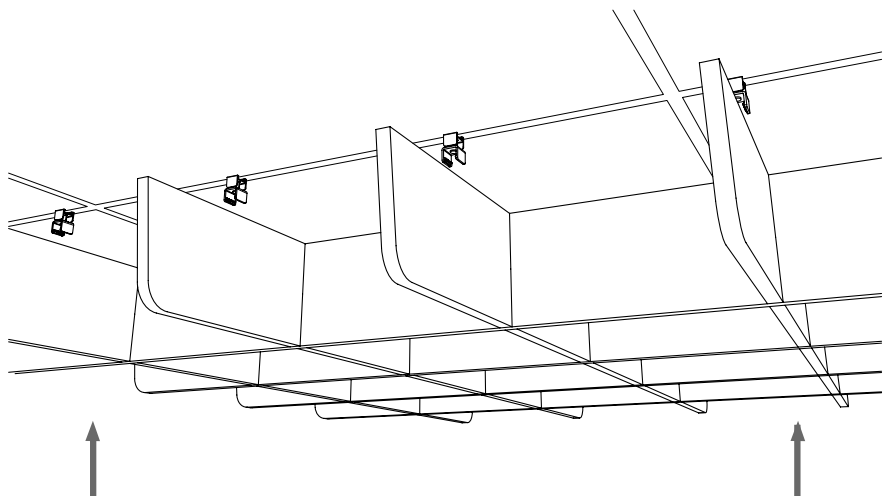
Step 3

- Slot top and bottom blades together forming a square grid.



Step 4

- Push EchoPanel® Element into the clips, making sure all 16 clips are holding the structure.
- The clips supplied are appropriate for the installation of one EchoPanel® Element kit.



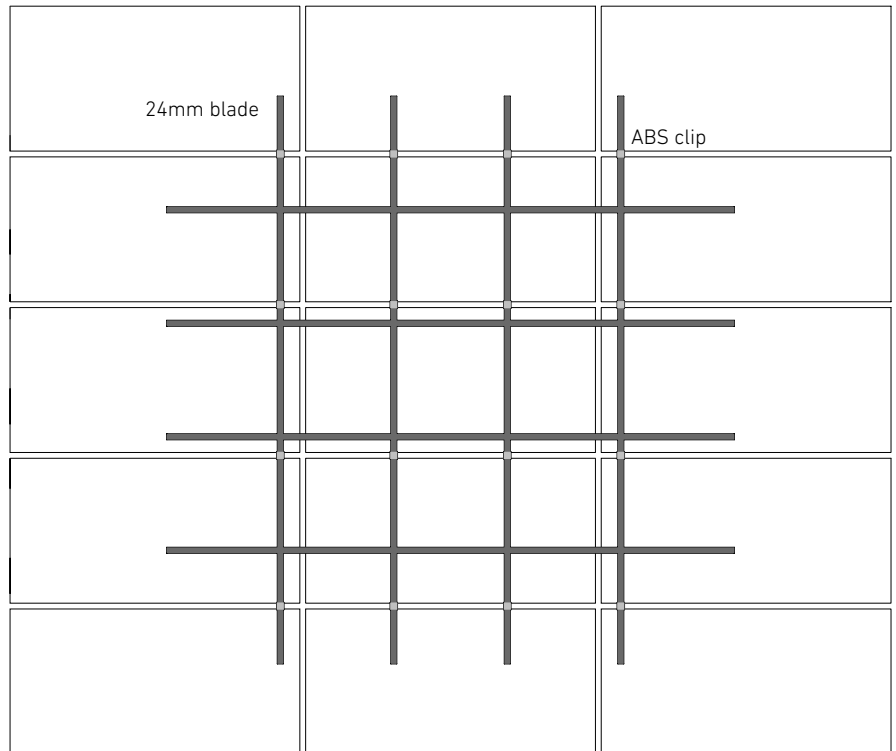
ECHOPANEL® ELEMENT

(Blades & Ceiling/Wall clips)

INSTALLATION GUIDE

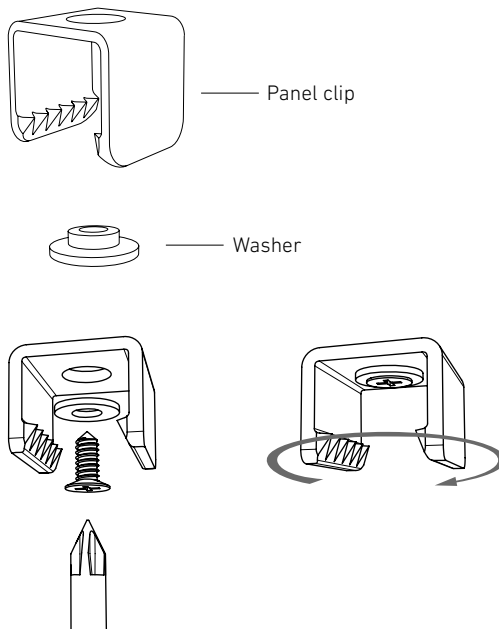


EchoPanel® Element shown
completed on a standard ceiling



Direct fix method:

- For direct fix to a ceiling or wall, select only the panel clip and washer.
- Using the clips spacing diagram from the grid install, mark out the placement of the clips.
- Prepare the wall or ceiling surface, installing appropriate wall plugs if needed.
- Use a screwdriver to fix the panel clip directly to the surface, using the washer provided.
- Rotate the panel clip to suit direction of EchoPanel®.



ECHOPANEL® ELEMENT

(Suspension kit)

INSTALLATION GUIDE

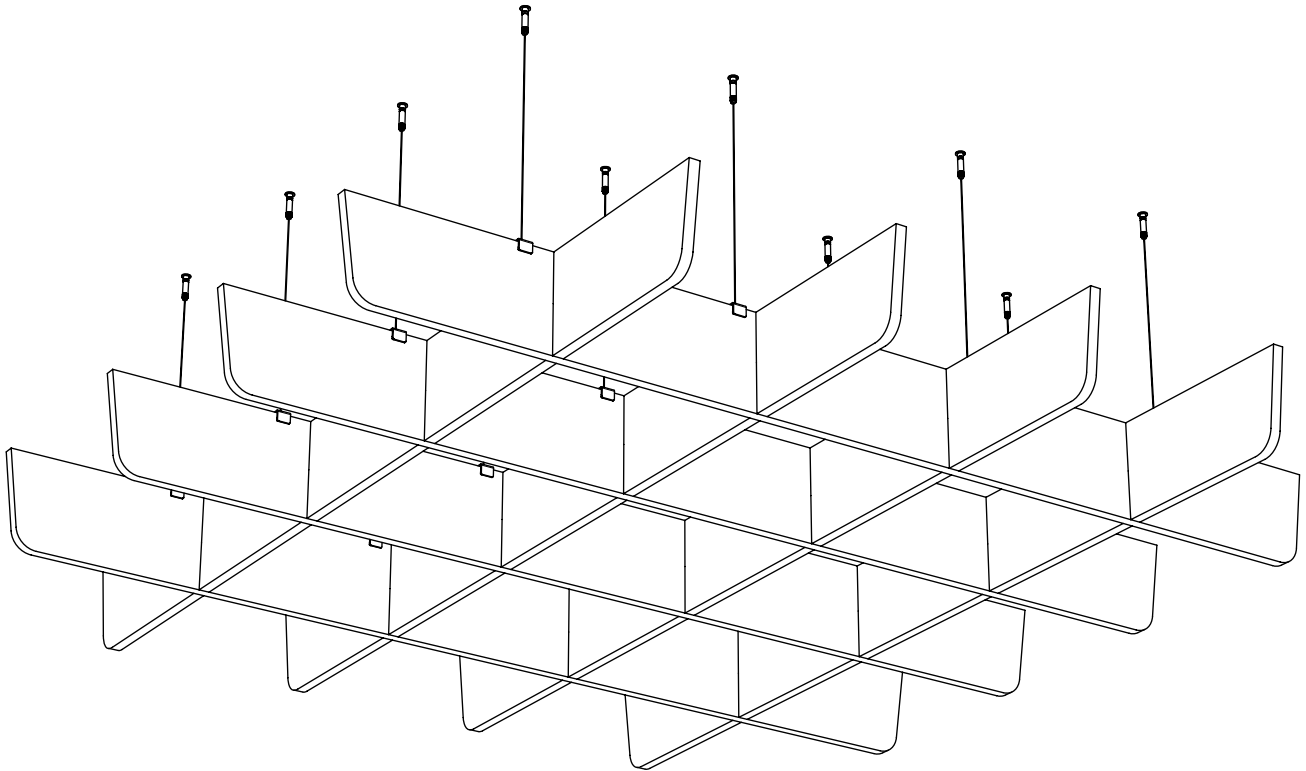


SPECIFICATION

- Add-on Suspension kit to be used with EchoPanel® Element
- Maximum suspension length of 2 metres

BOX CONTENTS

- 4 x Ceiling fixtures
 - 4 x Steel cables (2 metres long each)
 - Installation guide
-



ECHOPANEL[®] ELEMENT

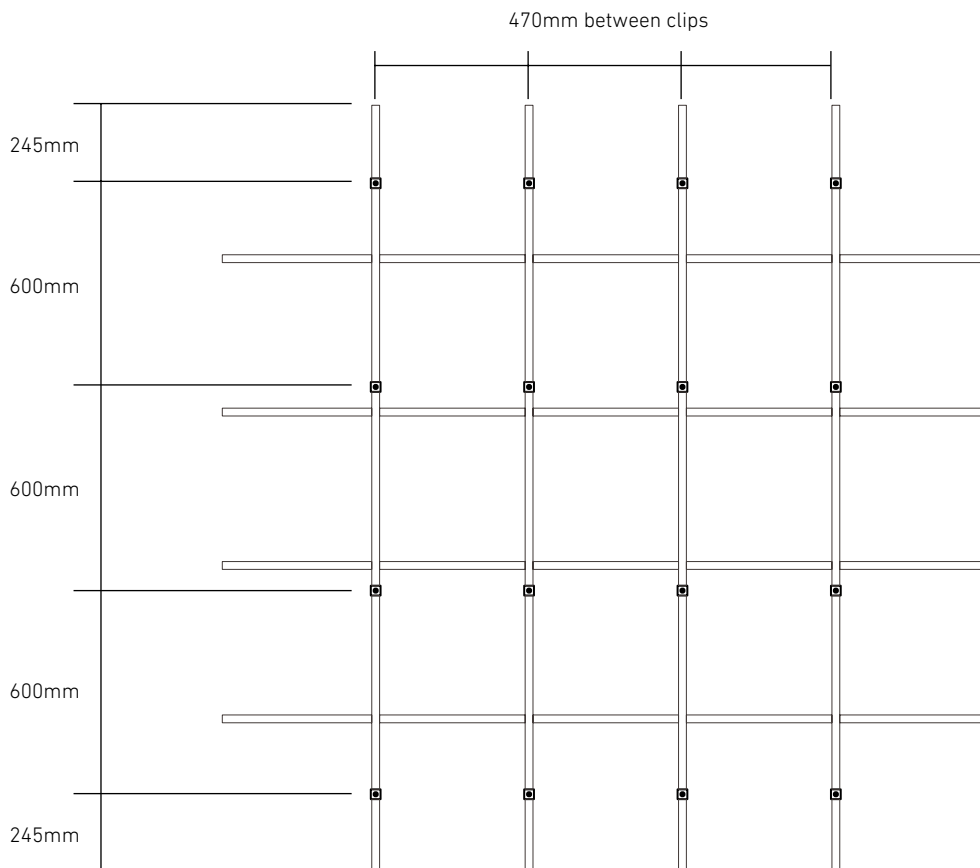
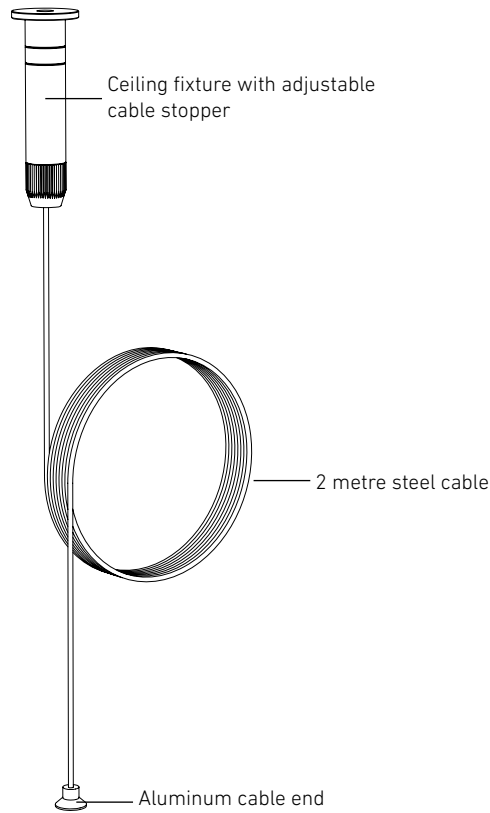
(Suspension kit)

INSTALLATION GUIDE



Step 1

- Reflected ceiling elevation - placement and spacing of ceiling clips.



ECHOPANEL® ELEMENT

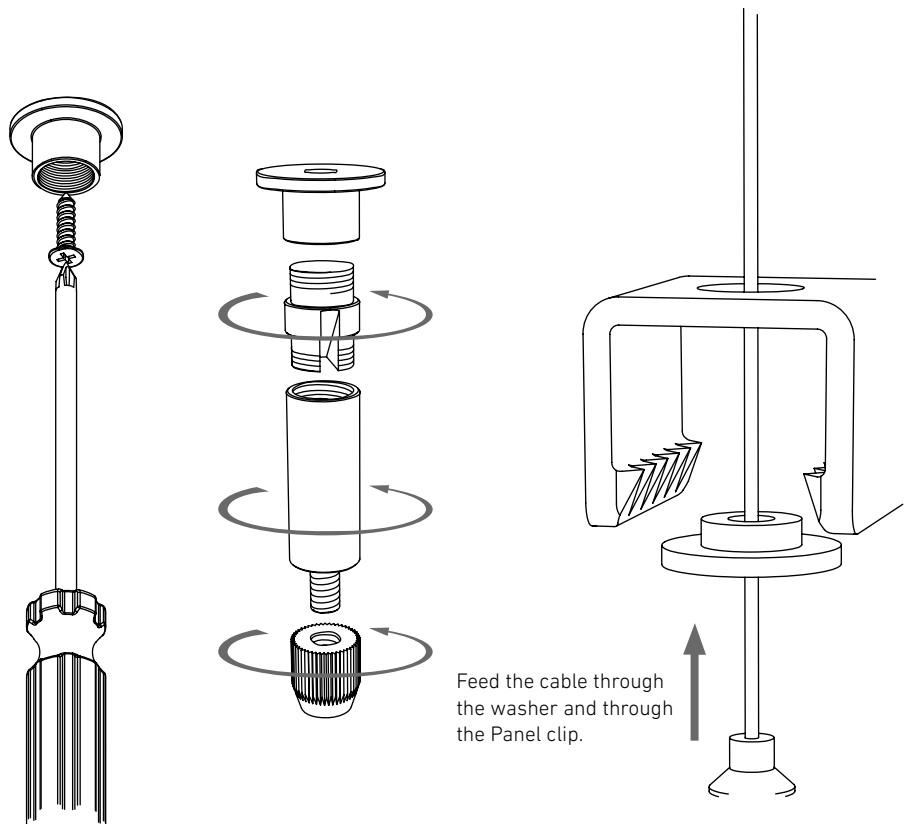
(Suspension kit)

INSTALLATION GUIDE



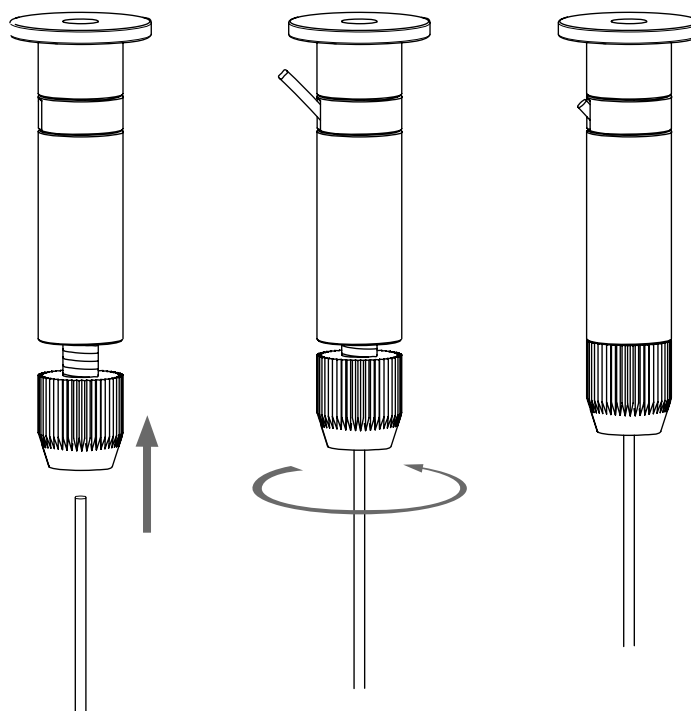
Step 2

- Undo the top section of the ceiling fixture and screw fix it to the ceiling.
- Then re-assemble the fixture.



Step 3

- Feed the cable through the ceiling fixture, by undoing and pushing the bottom part of the fixture.
- Adjust the length of the cable, tighten the fixture, then trim excess cable.



ECHOPANEL® ELEMENT

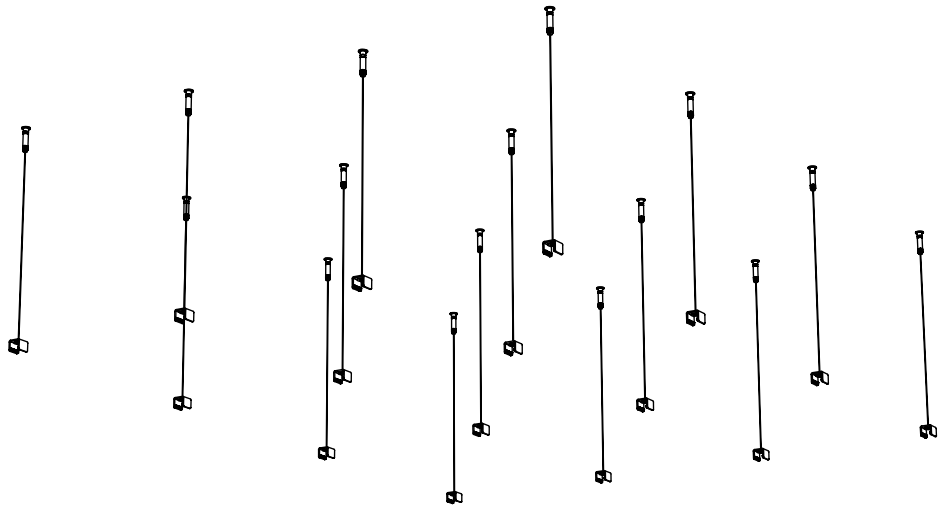
(Suspension kit)

INSTALLATION GUIDE



Step 4

- When all the fixtures have been installed, you will have a grid of cables and clips ready to install EchoPanel® Element.
- Ensure all the cables have been adjusted to the desired length.



Step 5

- Assemble EchoPanel® Element as per Installation guide at the beginning of this document.
- Push EchoPanel® Element into the clips, making sure all 16 clips are holding the structure.
- 4 x 24mm Suspension kits are appropriate for the installation of one EchoPanel® Element.

