

KIT INSTALLATION GUIDE

ARRAY ACOUSTIC CEILING SYSTEM (AACS) & BAFFLE DESIGNS

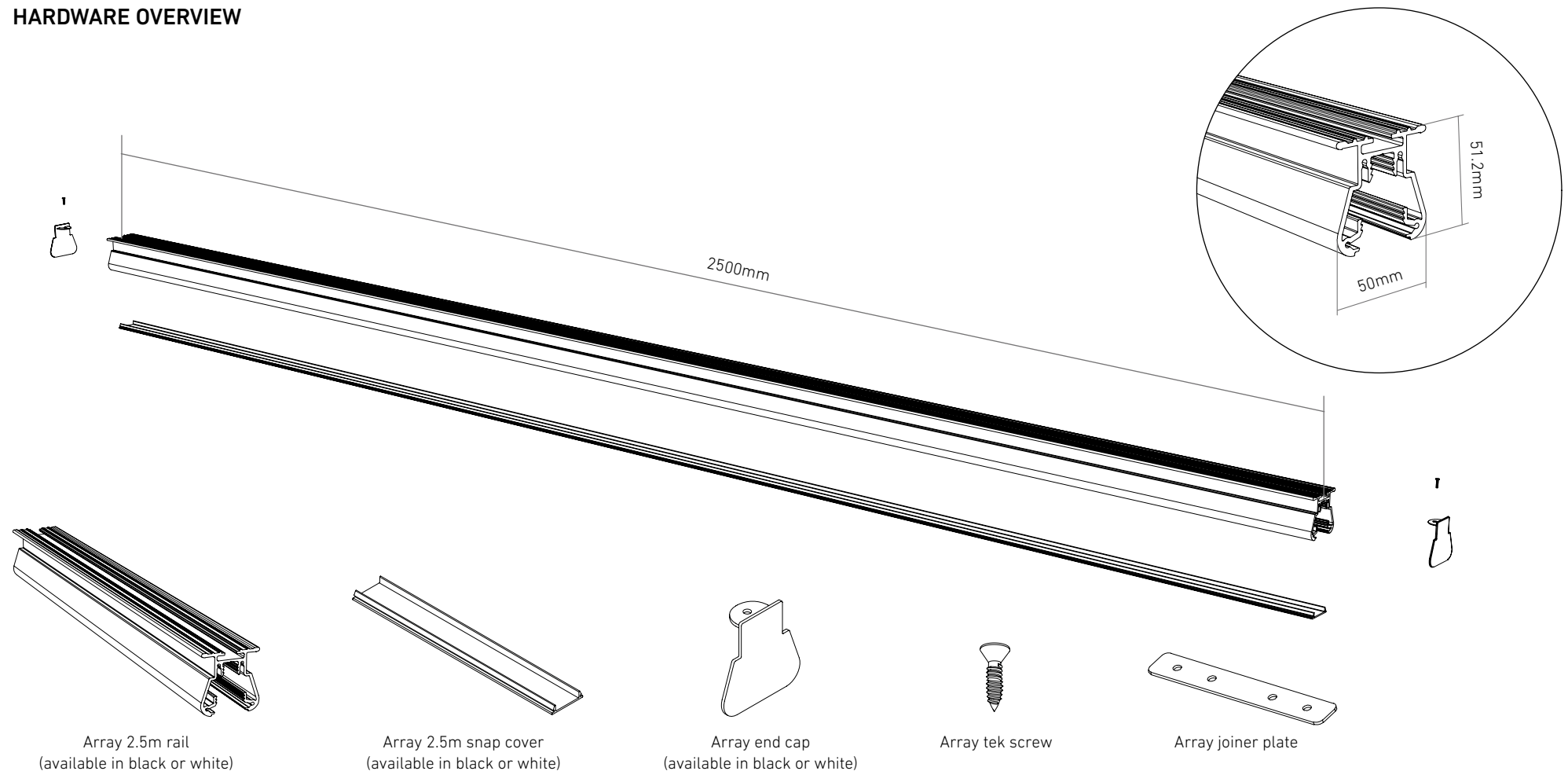
ARRAY ACOUSTIC CEILING SYSTEM (AACS)

OVERVIEW



The Array Acoustic Ceiling System (AACS) is a fully scalable acoustic ceiling system that accommodates 12mm & 24mm EchoPanel® baffles. It features streamlined aluminium hardware that has been engineered for easy installation, and can be used in both ceiling or wall applications. Below hardware all sold separately.

HARDWARE OVERVIEW



ECHOPANEL® BAFFLE DESIGNS

OVERVIEW



ECHOPANEL® 24mm



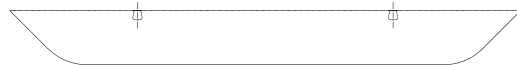
BEAM 200



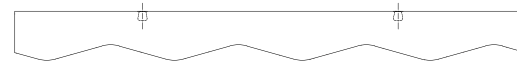
BEAM 300



WEDGE 200



WEDGE 300



WAVE



FLOW



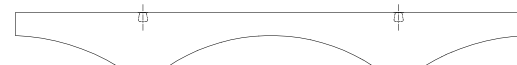
TAPER



CATHEDRAL



VALLEY



VIADUCT

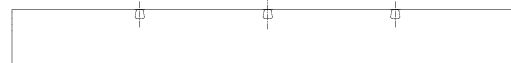


TURRET

ECHOPANEL® 12mm



BEAM 200



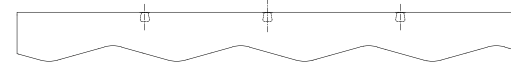
BEAM 300



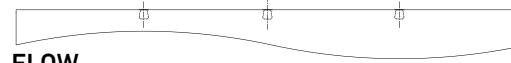
WEDGE 200



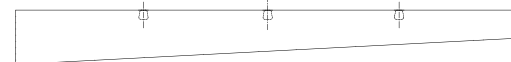
WEDGE 300



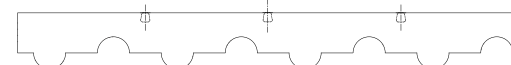
WAVE



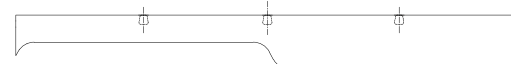
FLOW



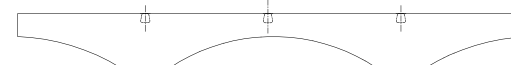
TAPER



CATHEDRAL



VALLEY



VIADUCT



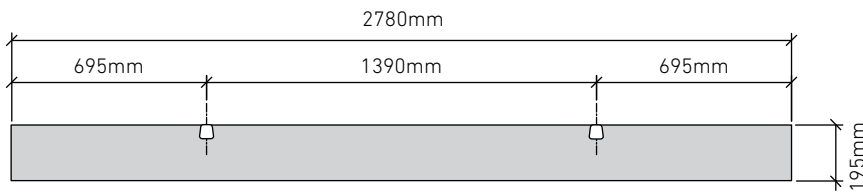
TURRET

BEAM 200

ECHOPANEL® BAFFLE DESIGN

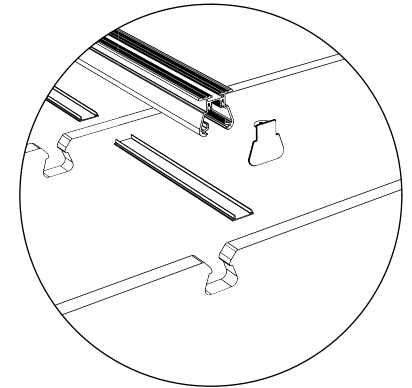
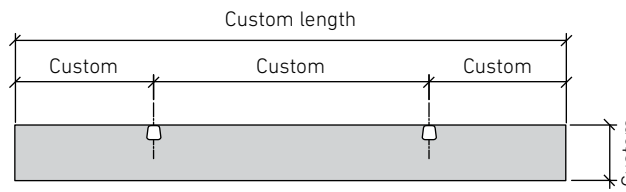


STANDARD BAFFLE SIZE



CUSTOM LENGTHS ON REQUEST

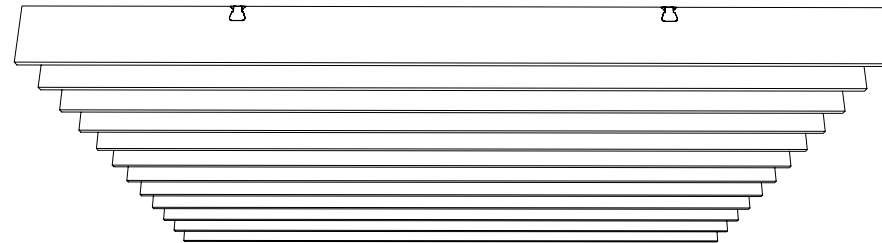
(Maximum length 2780mm)



AVAILABLE FOR PURCHASE AS A KIT

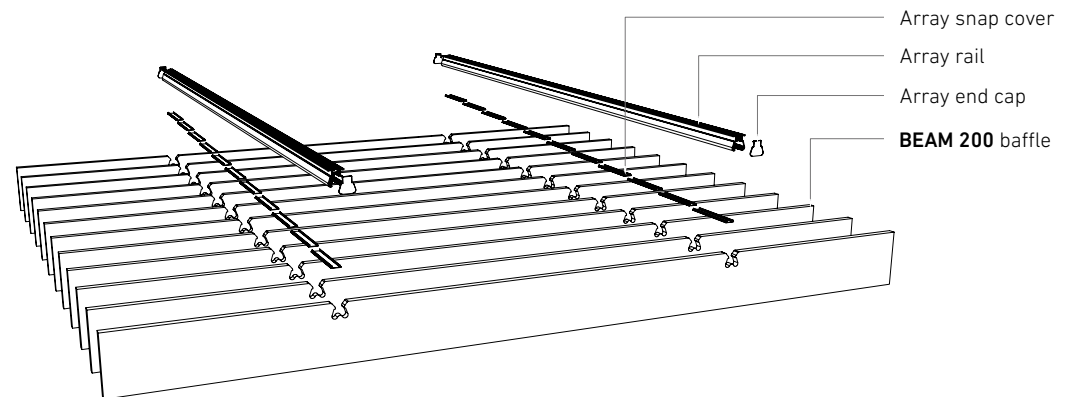
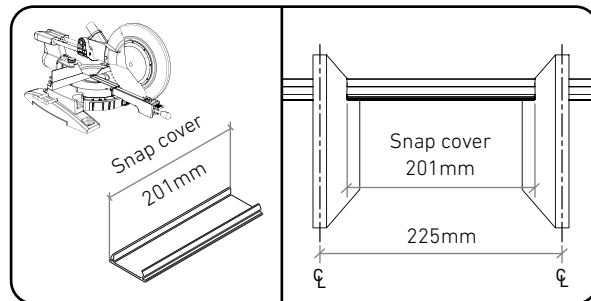
BEAM 200 24mm kit includes:

- 12 x BEAM 200 EchoPanel® 24mm baffles
- 2 x Array 2.5m rails
- 2 x Array 2.5m snap covers
- 4 x Array end caps
- 4 x Array tek screws
- 12 baffles are spaced along the 2.5m rail at 225mm centres.



SNAP COVER CUTTING REQUIRED

Snap covers require cutting with a circular saw into 11 lengths of 201mm.

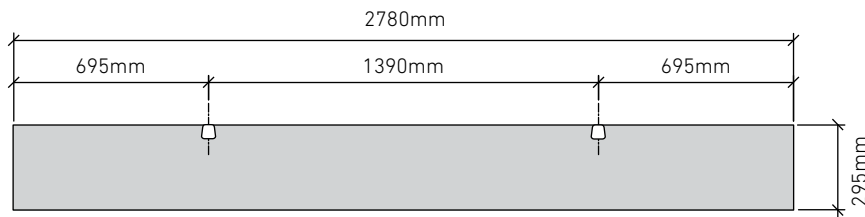


BEAM 300

ECHOPANEL® BAFFLE DESIGN

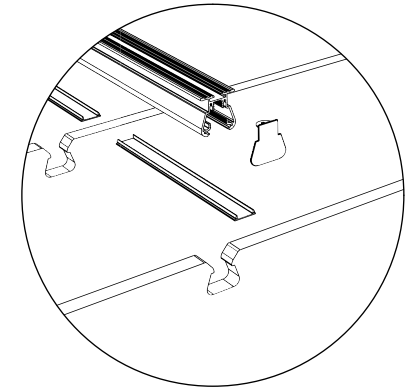
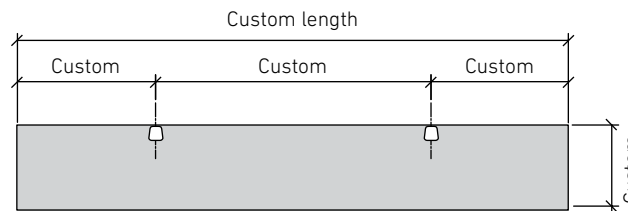


STANDARD BAFFLE SIZE



CUSTOM LENGTHS ON REQUEST

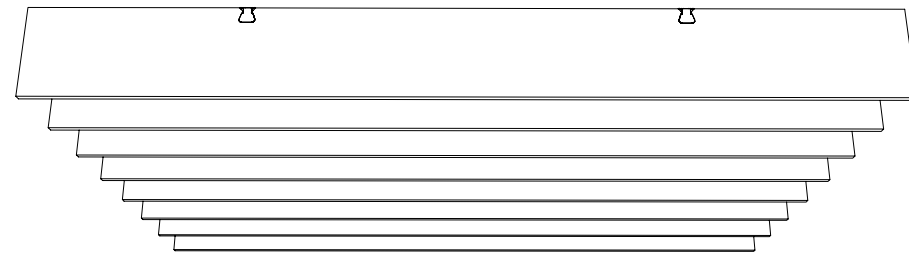
(Maximum length 2780mm)



AVAILABLE FOR PURCHASE AS A KIT

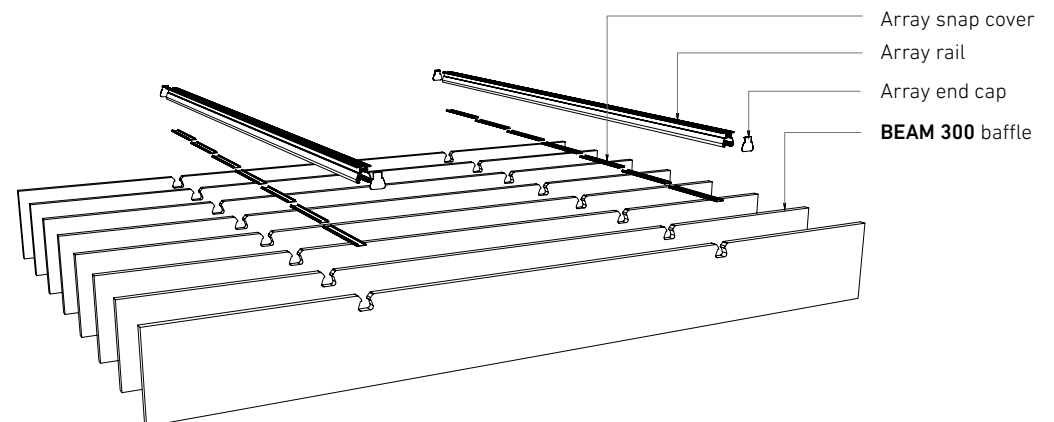
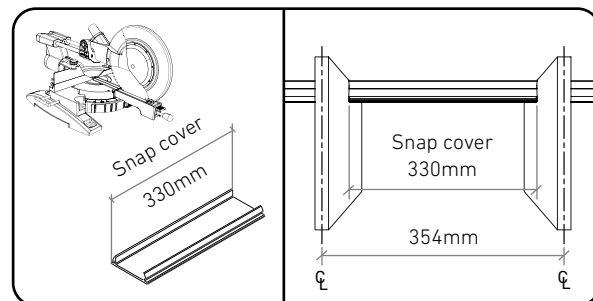
BEAM 300 24mm kit includes:

- 8 x BEAM 300 EchoPanel® 24mm baffles
- 2 x Array 2.5m rails
- 2 x Array 2.5m snap covers
- 4 x Array end caps
- 4 x Array tek screws
- 8 baffles are spaced along the 2.5m rail at 354mm centres.



SNAP COVER CUTTING REQUIRED

Snap covers require cutting with a circular saw into 7 lengths of 330mm.

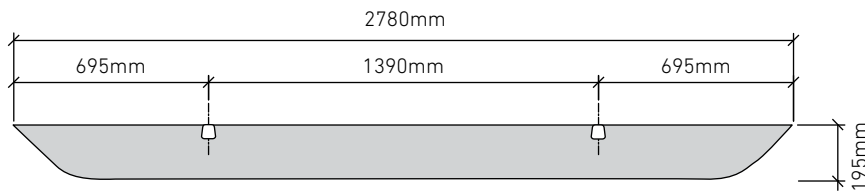


WEDGE 200

ECHOPANEL® BAFFLE DESIGN

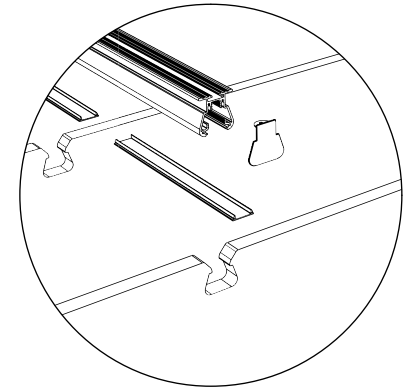
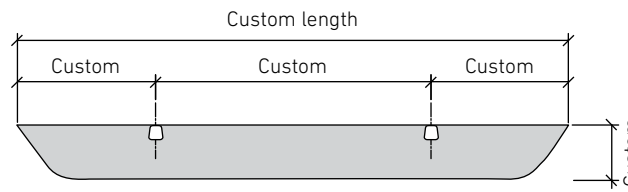


STANDARD BAFFLE SIZE



CUSTOM LENGTHS ON REQUEST

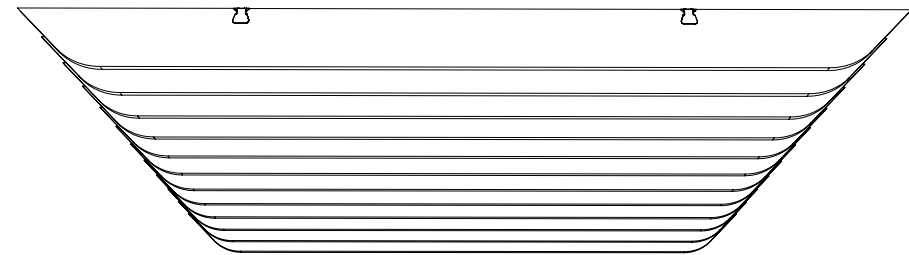
(Maximum length 2780mm)



AVAILABLE FOR PURCHASE AS A KIT

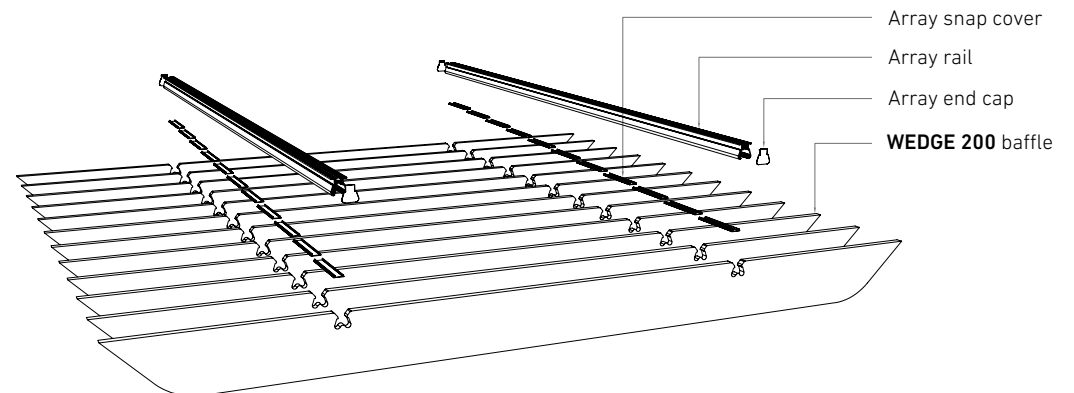
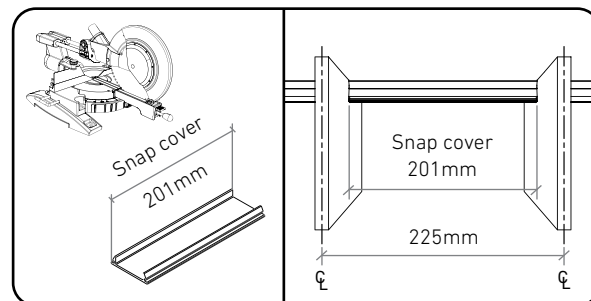
WEDGE 200 24mm kit includes:

- 12 x **WEDGE 200** EchoPanel® 24mm baffles
- 2 x Array 2.5m rails
- 2 x Array 2.5m snap covers
- 4 x Array end caps
- 4 x Array tek screws
- 12 baffles are spaced along the 2.5m rail at 225mm centres.



SNAP COVER CUTTING REQUIRED

Snap covers require cutting with a circular saw into 11 lengths of 201mm.

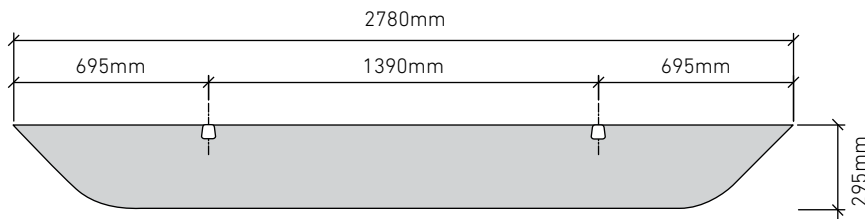


WEDGE 300

ECHOPANEL® BAFFLE DESIGN

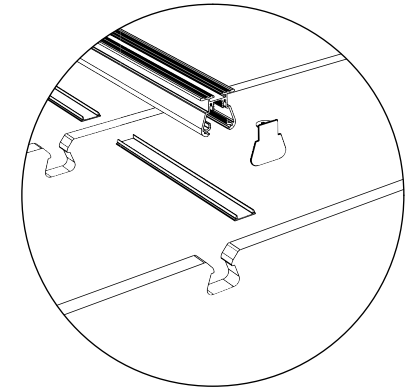
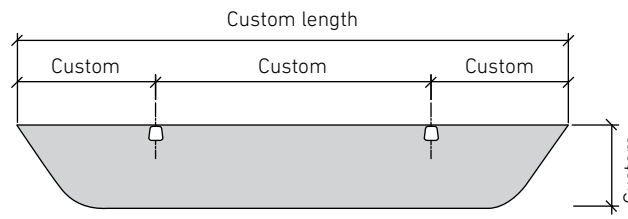


STANDARD BAFFLE SIZE



CUSTOM LENGTHS ON REQUEST

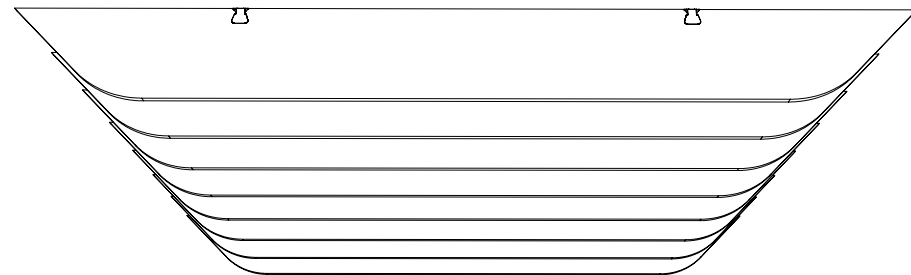
(Maximum length 2780mm)



AVAILABLE FOR PURCHASE AS A KIT

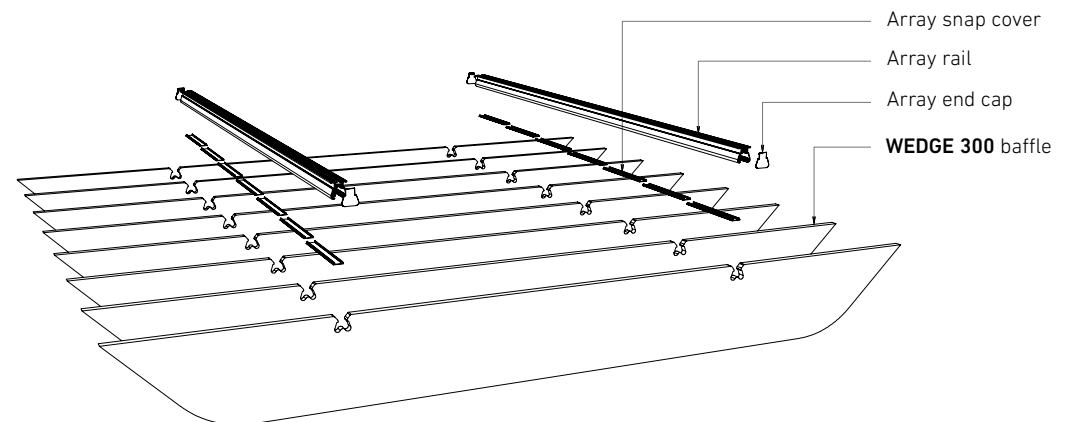
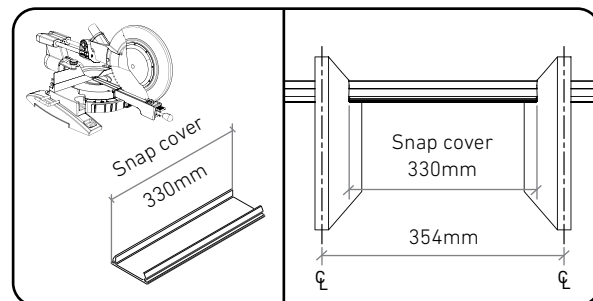
WEDGE 300 24mm kit includes:

- 8 x WEDGE 300 EchoPanel® 24mm baffles
- 2 x Array 2.5m rails
- 2 x Array 2.5m snap covers
- 4 x Array end caps
- 4 x Array tek screws
- 8 baffles are spaced along the 2.5m rail at 354mm centres.



SNAP COVER CUTTING REQUIRED

Snap covers require cutting with a circular saw into 7 lengths of 330mm.

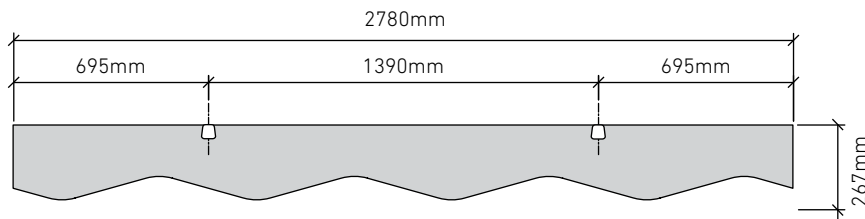


WAVE

ECHOPANEL® BAFFLE DESIGN

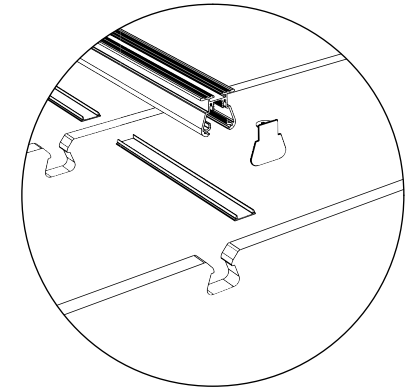
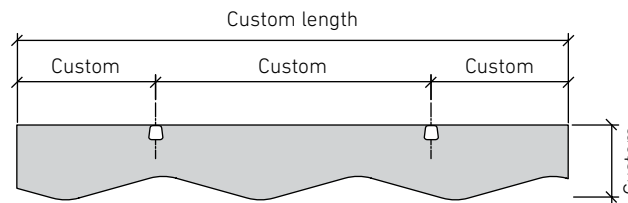


STANDARD BAFFLE SIZE



CUSTOM LENGTHS ON REQUEST

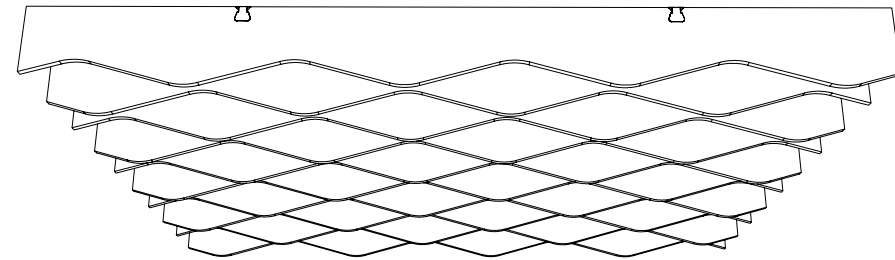
(Maximum length 2780mm)



AVAILABLE FOR PURCHASE AS A KIT

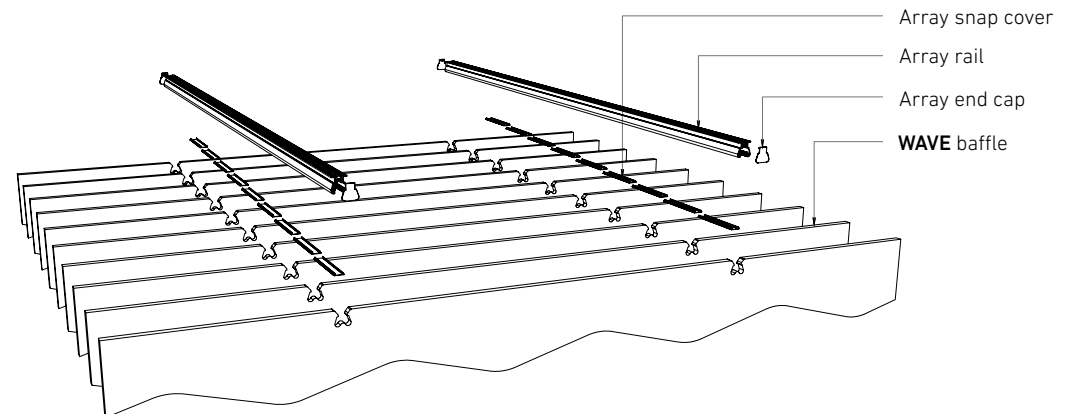
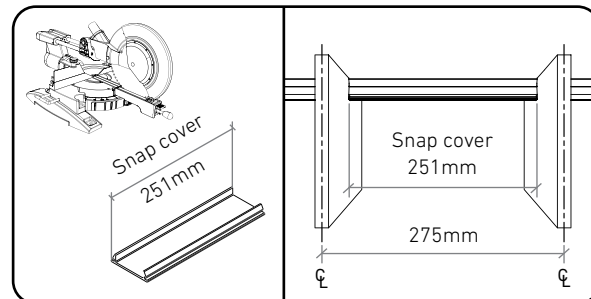
WAVE 24mm kit includes:

- 10 x WAVE EchoPanel® 24mm baffles
- 2 x Array 2.5m rails
- 2 x Array 2.5m snap covers
- 4 x Array end caps
- 4 x Array tek screws
- 10 baffles are spaced along the 2.5m rail at 275mm centres.



SNAP COVER CUTTING REQUIRED

Snap covers require cutting with a circular saw into 9 lengths of 251mm.

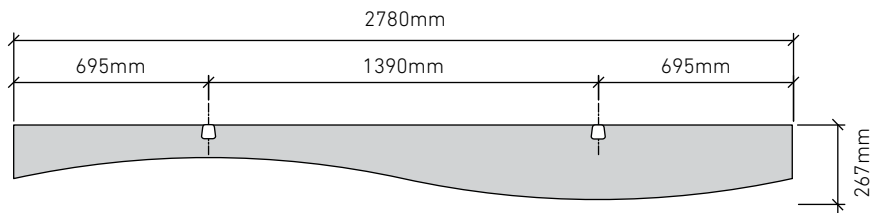


FLOW

ECHOPANEL® BAFFLE DESIGN

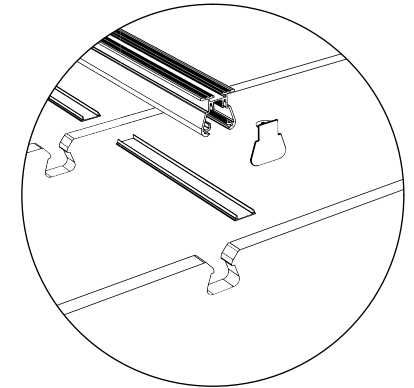
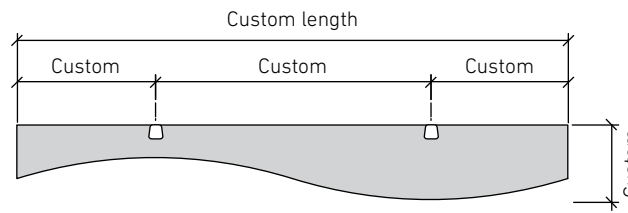


STANDARD BAFFLE SIZE



CUSTOM LENGTHS ON REQUEST

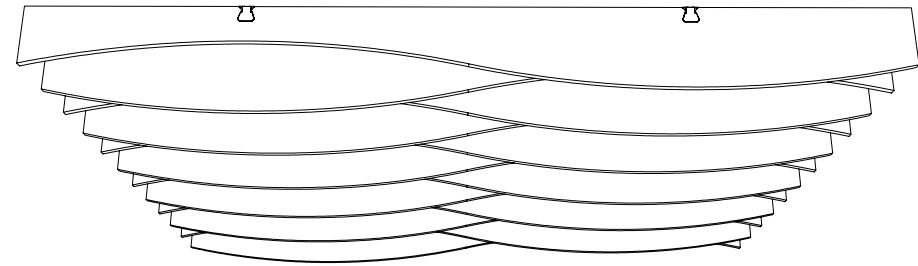
(Maximum length 2780mm)



AVAILABLE FOR PURCHASE AS A KIT

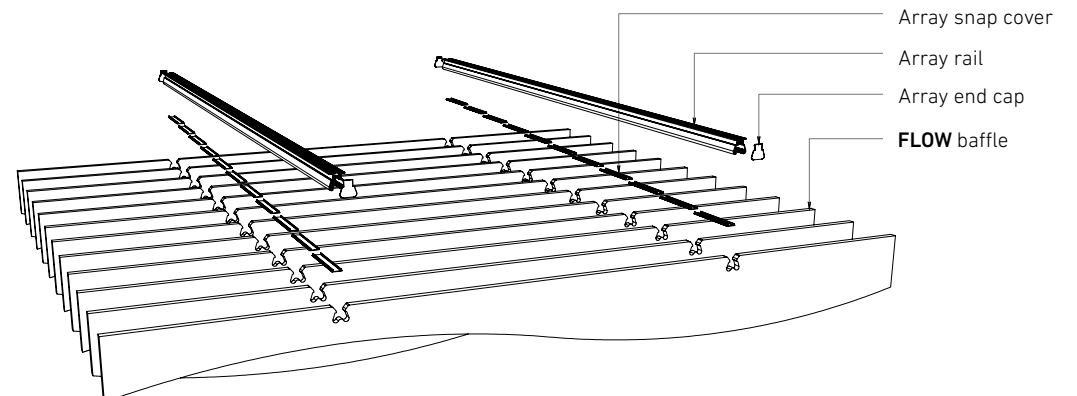
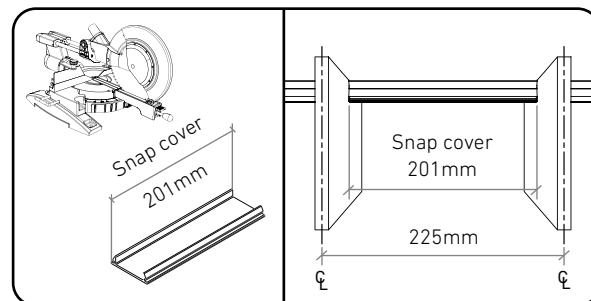
FLOW 24mm kit includes:

- 12 x **FLOW** EchoPanel® 24mm baffles
- 2 x Array 2.5m rails
- 2 x Array 2.5m snap covers
- 4 x Array end caps
- 4 x Array tek screws
- 12 baffles are spaced along the 2.5m rail at 225mm centres.



SNAP COVER CUTTING REQUIRED

Snap covers require cutting with a circular saw into 11 lengths of 201mm.

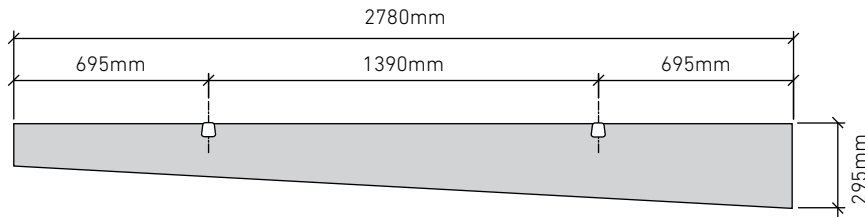


TAPER

ECHOPANEL® BAFFLE DESIGN

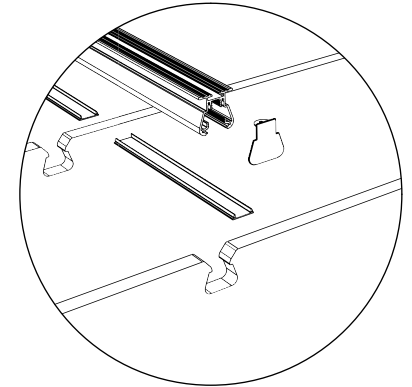
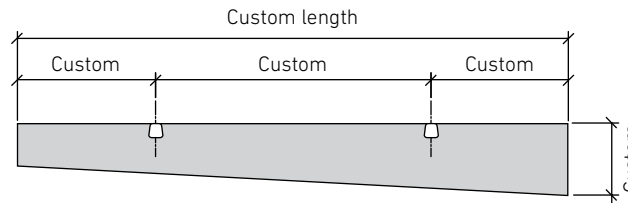


STANDARD BAFFLE SIZE



CUSTOM LENGTHS ON REQUEST

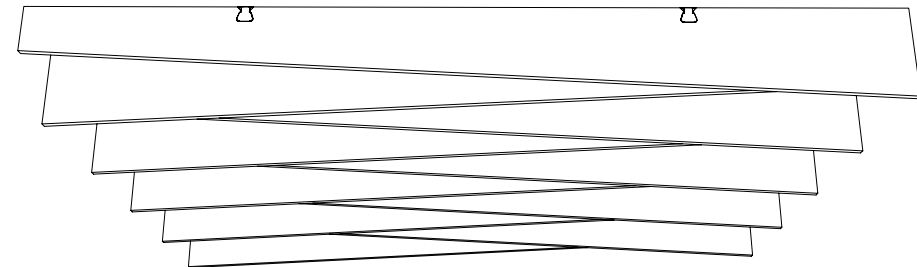
(Maximum length 2780mm)



AVAILABLE FOR PURCHASE AS A KIT

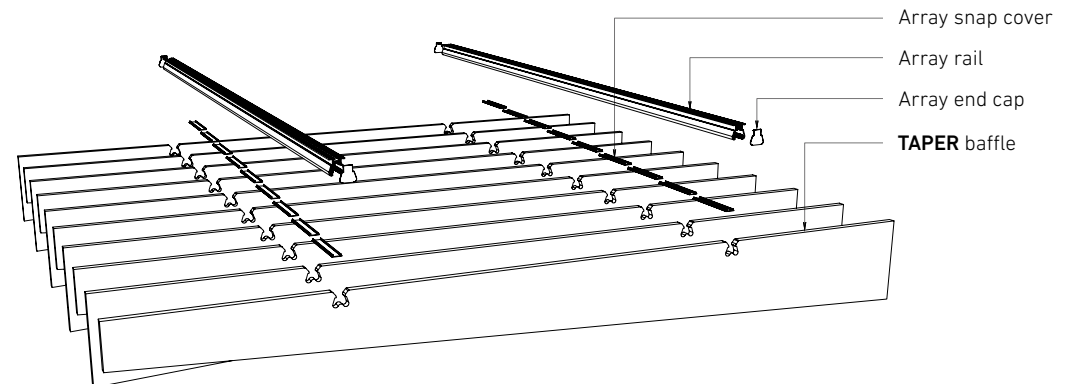
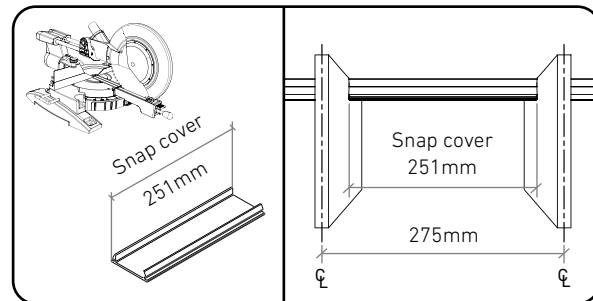
TAPER 24mm kit includes:

- 10 x TAPER EchoPanel® 24mm baffles
 - 2 x Array 2.5m rails
 - 2 x Array 2.5m snap covers
 - 4 x Array end caps
 - 4 x Array tek screws
- 10 baffles are spaced along the 2.5m rail at 275mm centres.



SNAP COVER CUTTING REQUIRED

Snap covers require cutting with a circular saw into 9 lengths of 251mm.

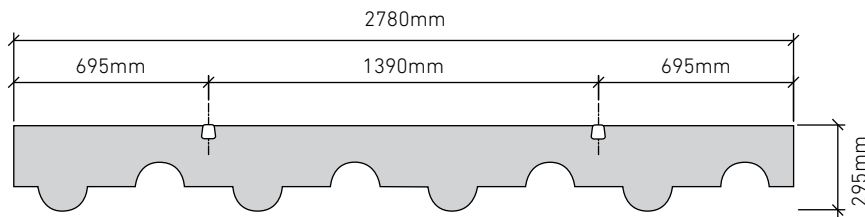


CATHEDRAL

ECHOPANEL® BAFFLE DESIGN

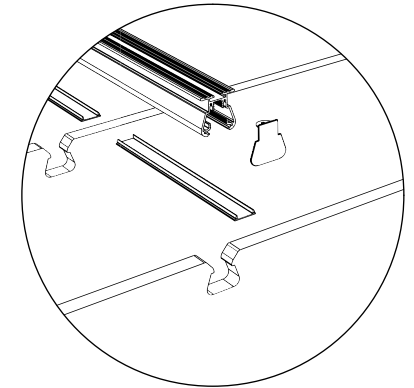
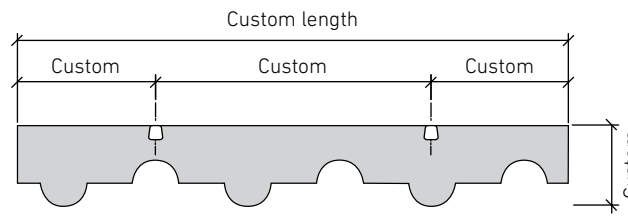


STANDARD BAFFLE SIZE



CUSTOM LENGTHS ON REQUEST

(Maximum length 2780mm)



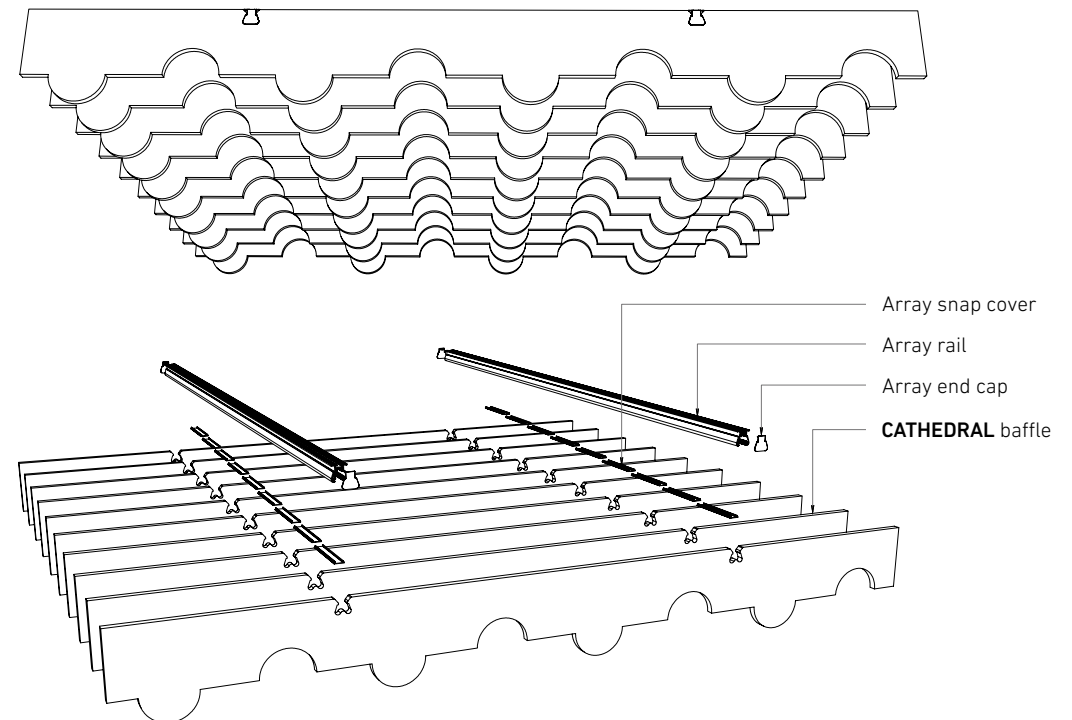
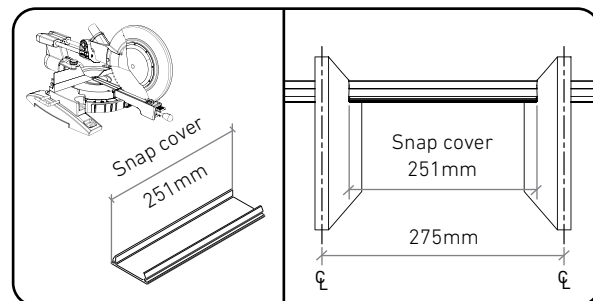
AVAILABLE FOR PURCHASE AS A KIT

CATHEDRAL 24mm kit includes:

- 10 x CATHEDRAL EchoPanel® 24mm baffles
- 2 x Array 2.5m rails
- 2 x Array 2.5m snap covers
- 4 x Array end caps
- 4 x Array tek screws
- 10 baffles are spaced along the 2.5m rail at 275mm centres.

SNAP COVER CUTTING REQUIRED

Snap covers require cutting with a circular saw into 9 lengths of 251mm.

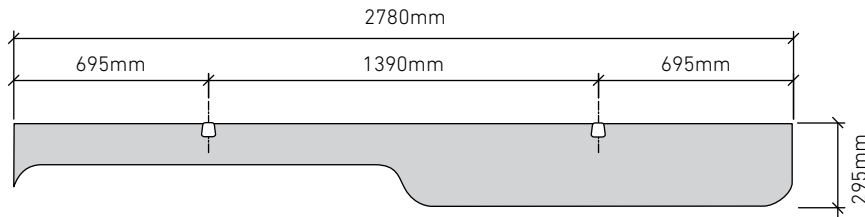


VALLEY

ECHOPANEL® BAFFLE DESIGN

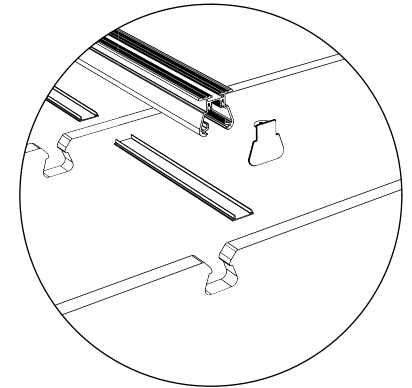
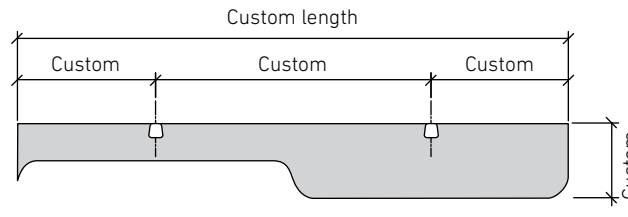


STANDARD BAFFLE SIZE



CUSTOM LENGTHS ON REQUEST

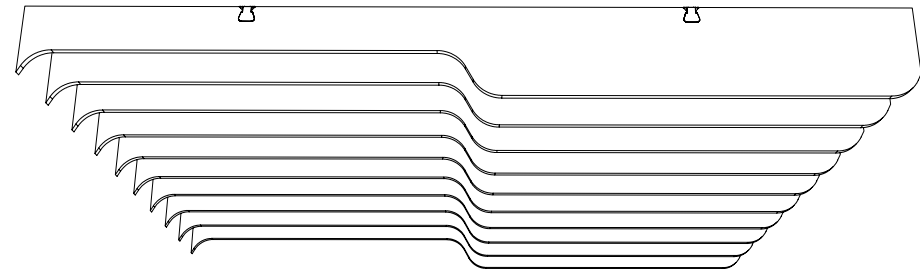
(Maximum length 2780mm)



AVAILABLE FOR PURCHASE AS A KIT

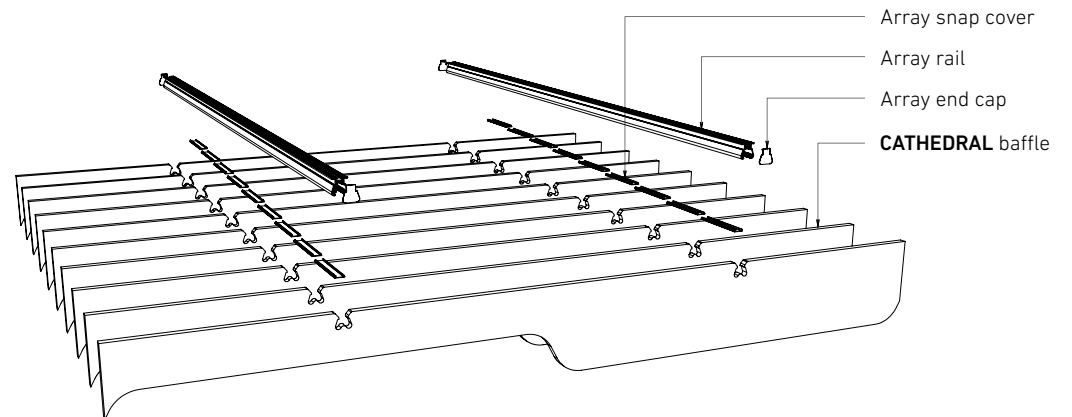
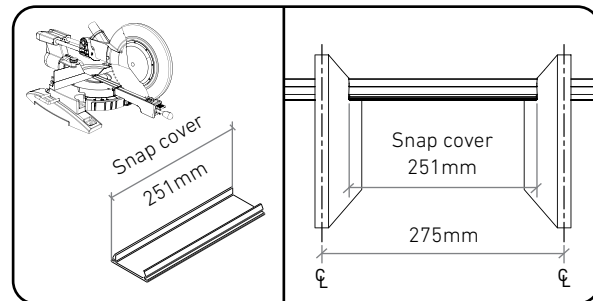
VALLEY 24mm kit includes:

- 10 x VALLEY EchoPanel® 24mm baffles
- 2 x Array 2.5m rails
- 2 x Array 2.5m snap covers
- 4 x Array end caps
- 4 x Array tek screws
- 10 baffles are spaced along the 2.5m rail at 275mm centres.



SNAP COVER CUTTING REQUIRED

Snap covers require cutting with a circular saw into 9 lengths of 251mm.

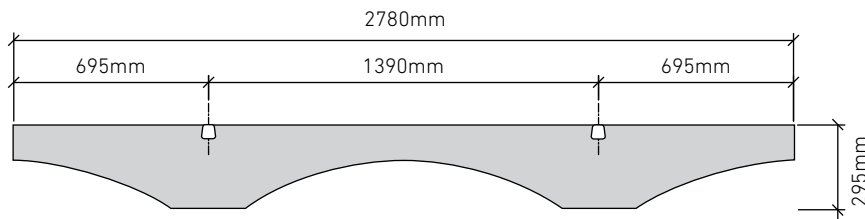


VIADUCT

ECHOPANEL® BAFFLE DESIGN

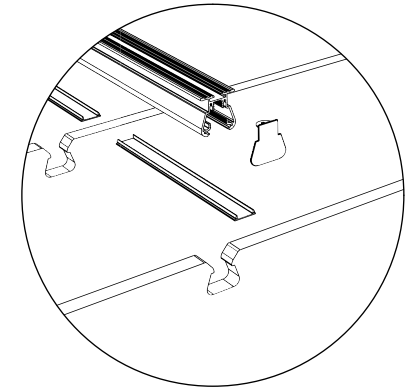
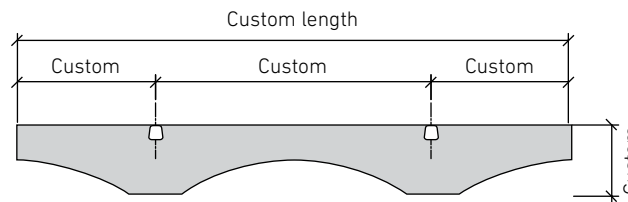


STANDARD BAFFLE SIZE



CUSTOM LENGTHS ON REQUEST

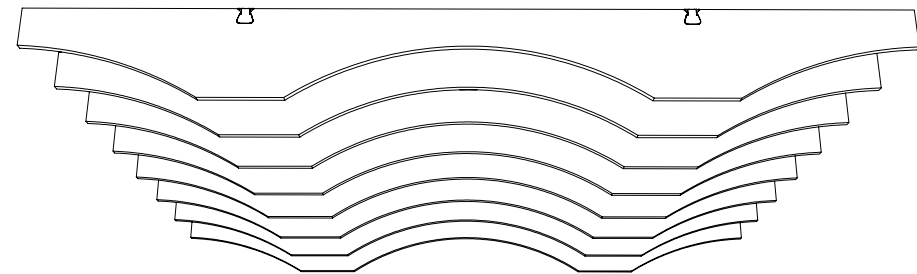
(Maximum length 2780mm)



AVAILABLE FOR PURCHASE AS A KIT

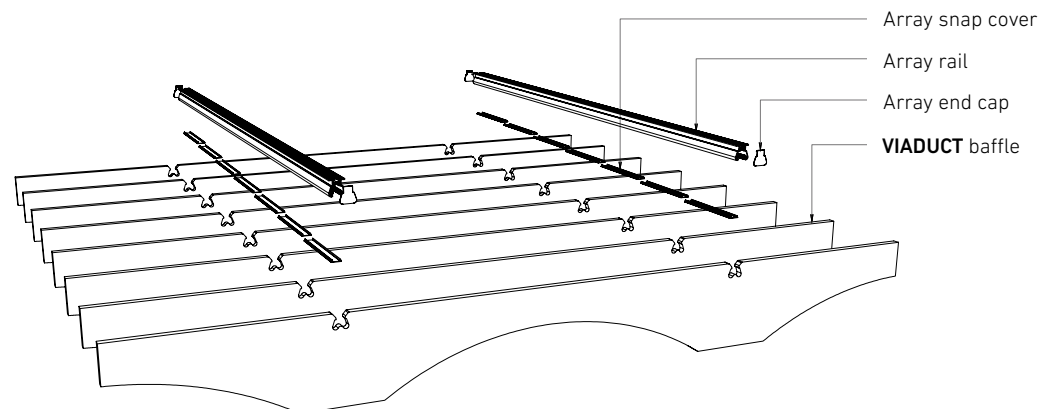
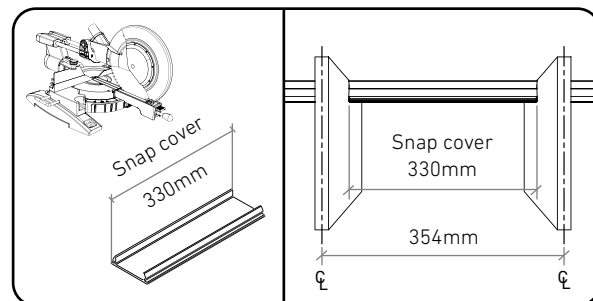
VIADUCT 24mm kit includes:

- 8 x VIADUCT EchoPanel® 24mm baffles
- 2 x Array 2.5m rails
- 2 x Array 2.5m snap covers
- 4 x Array end caps
- 4 x Array tek screws
- 8 baffles are spaced along the 2.5m rail at 354mm centres.



SNAP COVER CUTTING REQUIRED

Snap covers require cutting with a circular saw into 7 lengths of 330mm.

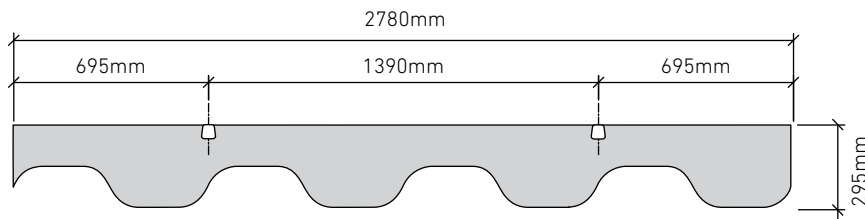


TURRET

ECHOPANEL® BAFFLE DESIGN

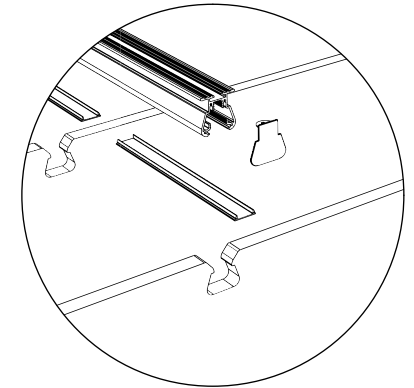
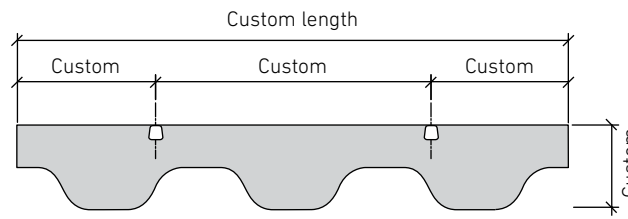


STANDARD BAFFLE SIZE



CUSTOM LENGTHS ON REQUEST

(Maximum length 2780mm)



AVAILABLE FOR PURCHASE AS A KIT

TURRET 24mm kit includes:

- 10 x **TURRET** EchoPanel® 24mm baffles
- 2 x Array 2.5m rails
- 2 x Array 2.5m snap covers
- 4 x Array end caps
- 4 x Array tek screws
- 10 baffles are spaced along the 2.5m rail at 275mm centres.

SNAP COVER CUTTING REQUIRED

Snap covers require cutting with a circular saw into 9 lengths of 251mm.

