

# WAVE & DUNE TILES

## INSTALLATION GUIDE



This guide is presented in good faith to assist in the installation of Wave and Dune tiles. It is not intended as an all-encompassing guide, and a professional qualified installer is recommended for optimum results.

Woven Image accepts no responsibility for installation actions taken or not taken. Please refer to Woven Image Pty Ltd. Terms of Trade.

This installation guide contains only recommendations; if you have any questions about installation techniques please contact your distributor or Woven Image sales representative.

### **Please note:**

- Please check that all Wave and Dune 3D tiles are the correct colour, shape and same batch number (if requested).
- No claims will be accepted after Wave and Dune 3D tiles have been installed.
- The clips should be tested for wall suitability and type of fixing required.
- All surfaces must be smooth, clean, dry, dust and mould free.

### **SPECIFICATION**

- Non-woven PET formed wall tiles
- 500mm (+/- 5mm) x 500mm (+/- 5mm)

### **BOX CONTENTS**

- 9 x Wave and Dune tiles
- 16 x Clips (4 x clip A, 8 x clip B, 4 x clip C) appropriate for a 3 tile x 3 tile configuration
- Installation guide and clip layout template (RHS and LHS)

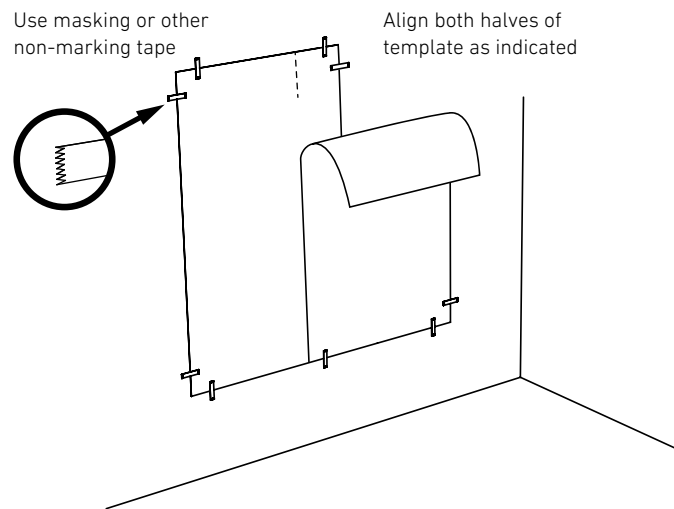
# WAVE & DUNE TILES

## INSTALLATION GUIDE

### INSTALLATION

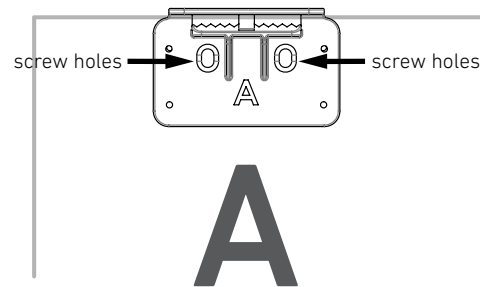
#### Step 1

- Tape left hand side and right hand side template clip layout to wall in desired location.
- Check with spirit level prior to installing clips.



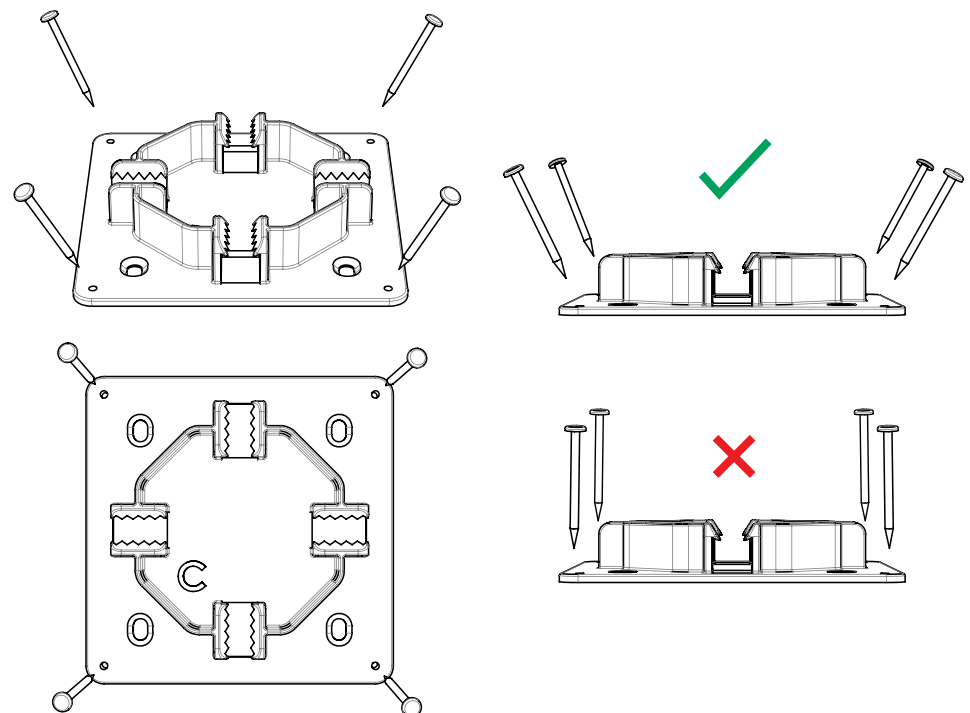
#### Step 2

- Mark hole positions for each clip on the wall using a pen or scribe (it is easiest to mark through the screw holes).



#### Step 3a

- Choose either nails or screws to suit wall.
- Line clips up with marked holes and fix to the wall.
- Double sided tape may be used to temporarily hold the clips while installing them.
- If using nails it is critical that they are inserted at an angle.

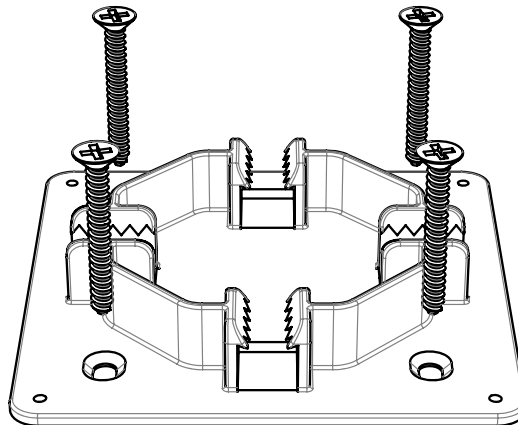


# WAVE & DUNE TILES

## INSTALLATION GUIDE

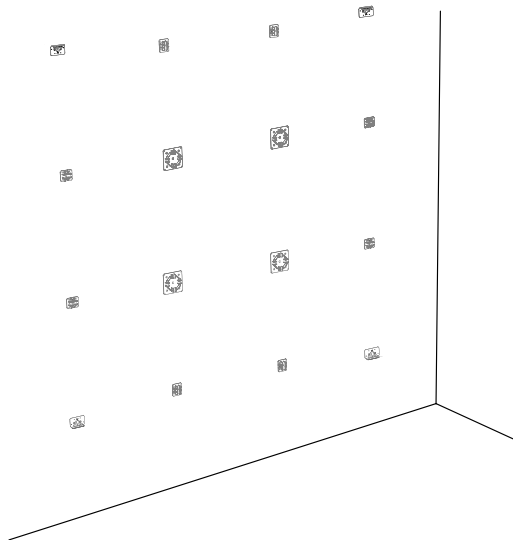
### Step 3b

- Screws may require additional fixing accessories like wall plugs for masonry.



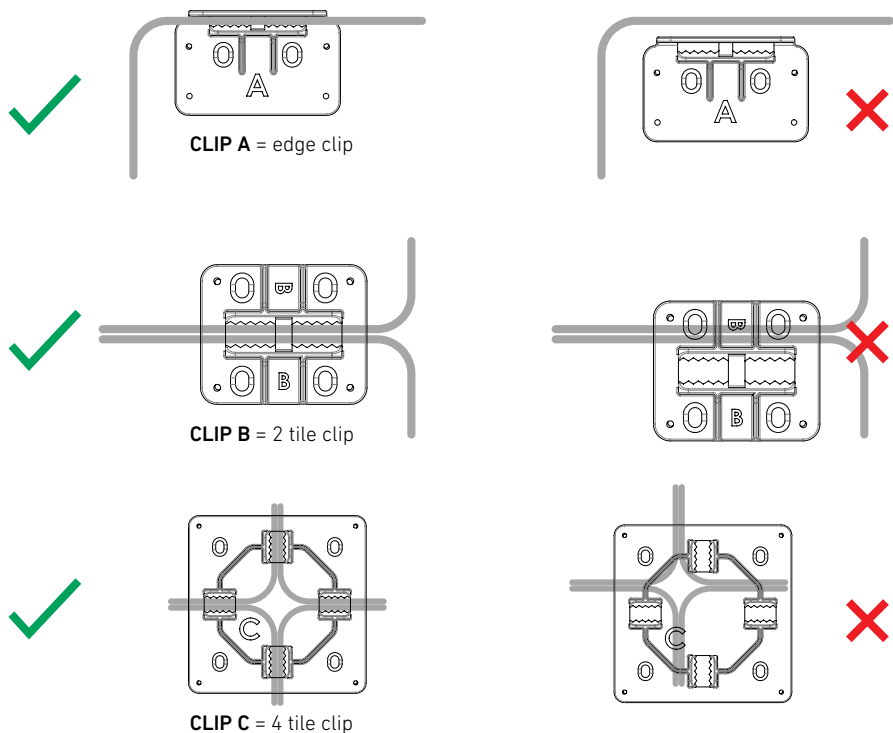
### Step 4

- When all the clips are fixed you will have a grid of clips ready to install the tiles.



### Step 5

- Align tiles in clips before pushing them into position. (tiles are difficult to remove once installed).



# WAVE & DUNE TILES

## INSTALLATION GUIDE

### Step 6

- Clips supplied are appropriate for installation of 9 tiles arranged in a 3 x 3 square pattern.
- Other layouts will require extra clips.
- All tiles need a clip at each corner.
- Use edge clip (A) for any perimeter corner (as shown).
- Use 2 tile clips (B) where tiles meet (as shown).
- Use 4 tile clips (C) where 4 tiles intersect (as shown).
- Additional clips are available in packs of 10 of A, B or C and 16 mixed clips.

