

Ascent Tile

Designer: Woven Image

Application(s): Walls

Composition & Pattern

Composition 100% PET (67% post-consumer recycled)

Hardware Composition Ascent Tile Infill: 100% PET (60% recycled), and Clips: Polycarbonate resin

Colours Available 17

Pattern Type Formed

Kit & Box Content

Box Contents 6 x Ascent Tiles & 1 x bag of clips

Component Details 16 clips with screws included. Additional acoustic infill can be requested upon ordering.

Dimensions & Weight

Dimensions Ascent Tile: Length: 900mm (+/- 5mm), Width: 500mm (+/- 5mm), Depth: 50mm (+/- 5mm), Thickness: 4mm (+/- 0.5mm) Ascent Tile Infill: Length: 890mm (+/- 2mm), Width: 480mm (+/- 2mm), Thickness: 25mm (+/- 2mm)

Unit of Sale Box

Unit of Sale Net Weight (kg) 5.8

Performance

Fire Test Result AS 3837: Group 3, ASTM E84 Unadhered: Class 1 or A, BS EN 13501.1: Classification B - s1, d0, GB 8624 B1

Acoustic Performance Standard Test Method AS ISO 354: 2006 (R2016)

Noise Reduction Coefficient (NRC) Result Direct fix: 0.70
Ascent Tile & Infill: 0.90

Sound Absorption Average (SAA) Result Direct fix: 0.66

Weighted Sound Absorption Coefficient (α_w) Result Direct fix: 0.60 (MH), and Ascent Tile & Infill: 0.90

Sound Absorption Class C (Direct fix)

Additional Acoustic Information Noise reduction coefficient result key: H = High Frequency / MH = Mid to High Frequency

Colour Fastness to Light Standard Test Method ISO 105 B02

Colour Fastness Light Rating 6

Other Testing Ascent Tile Infill Fire Test ISO 9705: Group 1

Sustainability

VOC Emissions Results ASTM D5116: TVOC Emissions Rate: <0.011mg/m²/hr (7 days), and CDPH Standard Method v1.2: TVOC Emissions Rate: <0.010mg/m³; Formaldehyde Emissions Rate: <2µg/m³

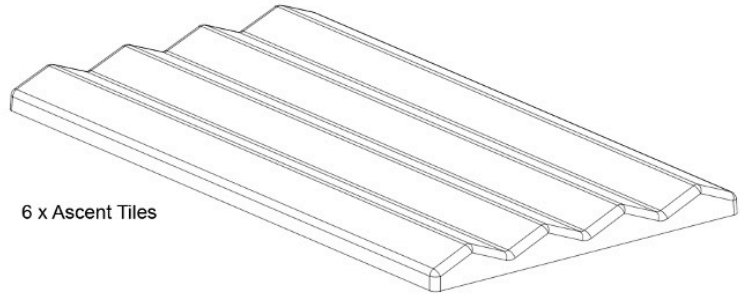
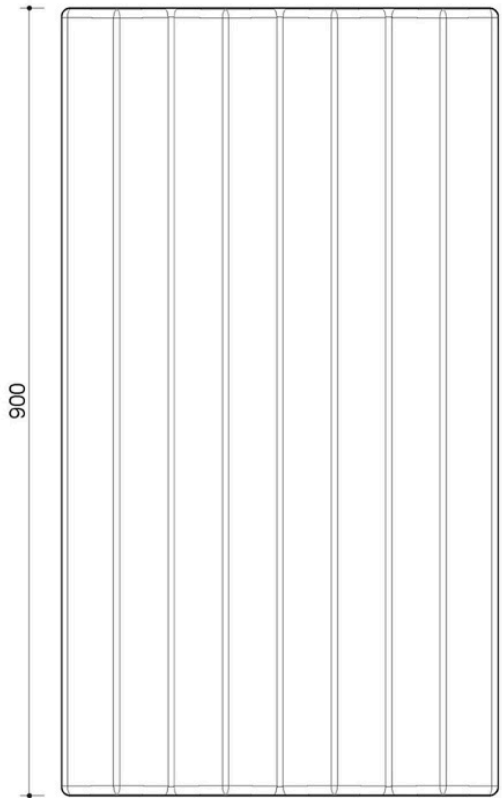
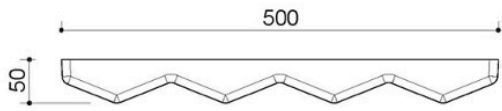
Sustainability Performance



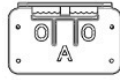
Instructions

Additional Information See Woven Image Mura Unprinted Composite Panels and Tiles Care & Cleaning Guide.
See Woven Image Ascent Tile Installation Guide.

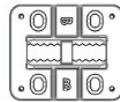
Exact colour matching cannot be guaranteed between batches.
Fibre mix and web variation are natural characteristics of this product.



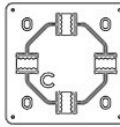
6 x Ascent Tiles



4 x A clip



8 x B clip



4 x C clip